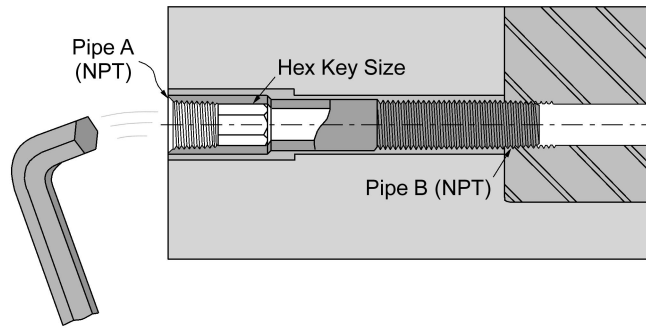
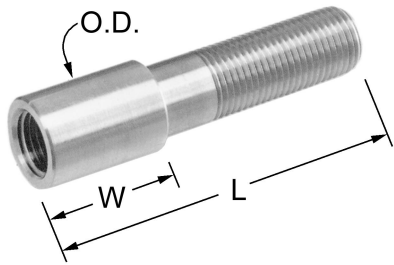


# Brass Hexkey Extension Pipes



## FEATURES:

- Heavy Duty Internal Hex Socket
- Hexkey Extension Pipes are Available in a Wide Variety of Special Lengths and Threads
- Accurate Length Adjustments are Easy With the Adjustable Thread System

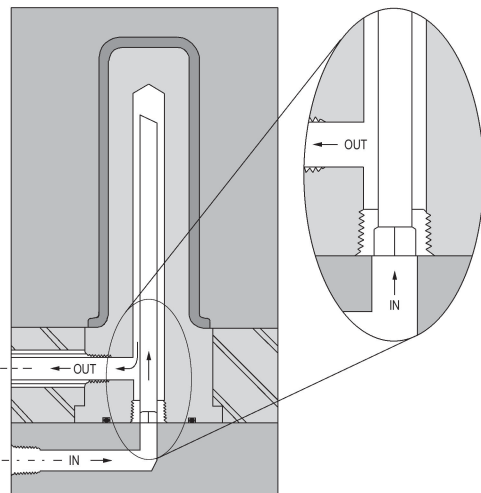
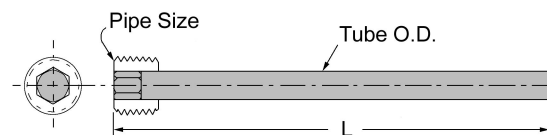
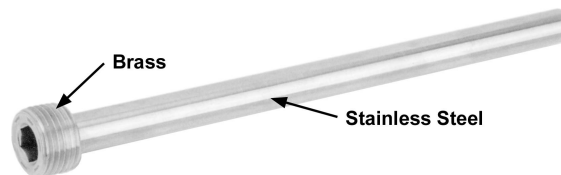
PART NO.	PIPE SIZE "A" (NPT)	PIPE SIZE "B" (NPT)	"W"	O.D.	HEX KEY SIZE	OVERALL LENGTH "L"			
						Call for Pricing 800-627-1033			
EP18-__*	1/8	1/8	3/4"	1/2"	1/4"				
EP14-__*	1/4	1/4	1"	11/16"	3/8"				
EP38-__*	3/8	3/8	1 1/4"	13/16"	1/2"				
EP50-__*	1/2	1/2	1 1/2"	1"	9/16"				

\*To order, insert desired overall length; Example: EP14-212

# Piston Tubes

## FEATURES:

- *Stainless Steel Tubes*
- Precision Brazed Assembly Provides High Strength and Reliable Performance
- Coolant Flows Through Hex Socket and High Flow Stainless Tube
- High-Flow Stainless Tube Provides Maximum Cooling Rates



PART NO.	PIPE SIZE (NPT)	TUBE O.D.	TUBE I.D.	OVERALL LENGTH "L"			
				12"	24"	36"	48"
PT16-__B*	1/16	.125"	.109"	Call for Pricing 800-627-1033			
PT18-__B*	1/8	.187"	.167"				
PT14-__B*	1/4	.250"	.230"				
PT38-__B*	3/8	.375"	.345"				
PT12-__B*	1/2	.375"	.345"				
PT34-__B*	3/4	.437"	.407"				

\*To order, insert desired overall length; Example: PT14-24B

Pipe plug also available in steel or stainless steel.