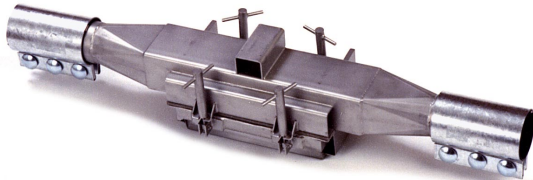


Gravity In-Line Magnets

Gravity In-Line Magnets allow you to utilize our powerful plate magnets in round, sloping spouting where material is under gravity flow. For effective tramp capture, spouting should be angled no more than 60° from horizontal. Gravity In-Line Magnets are an excellent choice for Food, Plastic / Rubber and Recycling industry applications.



SPECIFICATIONS

General Material: 11 Ga. 302/304 stainless steel with standard size tube ends.

Magnet Material: High-density Ceramic (CR) permanent magnetic material. Rare Earth (NE) models available.

Magnet Design: Standard plate magnet with 400 series stainless steel exposed pole face. Other face styles available.

Construction: Housing is seam welded into an integral unit. Magnet furnished with hinge, latches, and silicone gasket. Compression couplings provided for installation. Special adapters available upon request.

Method of Cleaning: Manual, from outside of housing, utilizing hinged swing-away magnet. Self-cleaning models available (SC).

Sizes: Available in 5" through 12" line sizes.

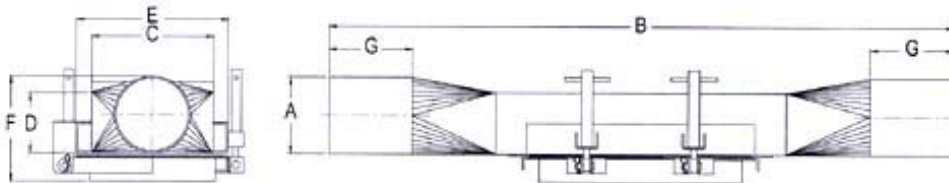
Special sizes available upon request.

PART NO.	LINE OD	PRICE
GIM-5-CR	5"	Call for Pricing 800-627-1033
GIM-6-CR	6"	
GIM-8-CR	8"	
GIM-10-CR	10"	
GIM-12-CR	12"	

CR = Ceramic

PART NO.	LINE OD	PRICE
GIM-5-NE	5"	Call for Pricing 800-627-1033
GIM-6-NE	6"	
GIM-8-NE	8"	
GIM-10-NE	10"	
GIM-12-NE	12"	

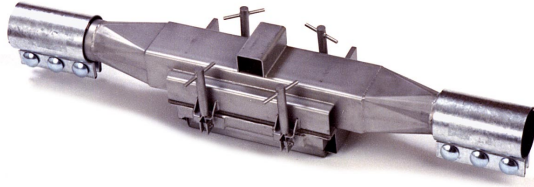
NE = Rare Earth



PART NO.	"A"	"B"	"C"	"D"	"E"	"F"	"G"
GIM-5-CR	5"	33"	8"	4"	10"	7-13/16"	5-1/2"
GIM-6-CR	6"	28"	12"	4"	14"	7-13/16"	5-1/2"
GIM-8-CR	8"	41"	14"	5"	16"	7-13/16"	5-1/2"
GIM-10-CR	10"	48"	16"	6-1/2"	18"	7-13/16"	5-1/2"
GIM-12-CR	12"	51"	22"	6-1/2"	24"	7-13/16"	5-1/2"
GIM-5-NE	5"	29"	8"	4"	10"	6-7/16"	5-1/2"
GIM-6-NE	6"	34"	12"	4"	14"	6-7/16"	5-1/2"
GIM-8-NE	8"	38"	14"	5"	16"	6-7/16"	5-1/2"
GIM-10-NE	10"	40"	16"	6-1/2"	18"	6-7/16"	5-1/2"
GIM-12-NE	12"	43"	22"	6-1/2"	24"	6-7/16"	5-1/2"

Pneumatic In-Line Magnets

Pneumatic In-line Magnets are built for use in dilute phase pneumatic conveying systems. They can be installed easily with optional compression couplings and work best in horizontal runs with the plate magnet down to take advantage of material stratification. An excellent choice for Food, Plastic / Rubber and Recycling industry applications.



SPECIFICATIONS

General Material: 13 Ga. 302/304 stainless steel with standard size tube ends.

Magnet Material: High-density Ceramic (CR) permanent magnetic material. Rare Earth (NE) models available.

Magnet Design: Standard plate magnet with 400 series stainless steel exposed pole face. Other face styles available.

Construction: Housing is seam welded into an integral unit. Magnet furnished with hinge, latches, and silicone gasket. Compression couplings provided for installation. Special adapters available upon request.

Method of Cleaning: Manual, from outside of housing, utilizing hinged swing-away magnet. Self-cleaning models available (SC).

Sizes: Available in 2" through 10" line sizes.

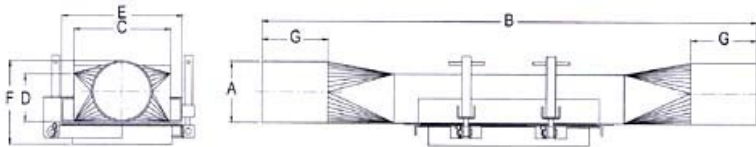
Special sizes available upon request.

PART NO.	LINE OD	PRICE
PIM-2-CR	2"	Call for Pricing 800-627-1033
PIM-3-CR	3"	
PIM-4-CR	4"	
PIM-5-CR	5"	
PIM-6-CR	6"	
PIM-8-CR	8"	
PIM-10-CR	10"	

CR = Ceramic

PART NO.	LINE OD	PRICE
PIM-2-NE	2"	Call for Pricing 800-627-1033
PIM-3-NE	3"	
PIM-4-NE	4"	
PIM-5-NE	5"	
PIM-6-NE	6"	
PIM-8-NE	8"	
PIM-10-NE	10"	

NE = Rare Earth



PART NO.	"A"	"B"	"C"	"D"	"E"	"F"	"G"
PIM-2-CR	2"	34"	4"	2"	6"	3-5/8"	5-1/2"
PIM-3-CR	3"	36"	4"	3"	6"	5-3/4"	5-1/2"
PIM-4-CR	4"	36"	6"	3-1/2"	8"	6-3/4"	5-1/2"
PIM-5-CR	5"	41"	8"	4"	10"	10-1/8"	5-1/2"
PIM-6-CR	6"	55"	12"	4"	14"	11-1/8"	7"
PIM-8-CR	8"	61"	14"	5"	16"	14-1/4"	7"
PIM-10-CR	10"	65"	16"	6-1/2"	18"	16-1/4"	7"
PIM-2-NE	2"	32"	4"	2"	6"	3-3/8"	5-1/2"
PIM-3-NE	3"	32"	4"	3"	6"	4-3/8"	5-1/2"
PIM-4-NE	4"	32"	6"	3-1/2"	8"	5-3/4"	5-1/2"
PIM-5-NE	5"	38"	8"	4"	10"	6-3/4"	5-1/2"
PIM-6-NE	6"	52"	12"	4"	14"	7-3/4"	7"
PIM-8-NE	8"	53"	14"	5"	16"	10-1/2"	7"
PIM-10-NE	10"	57"	16"	6-1/2"	18"	12-1/2"	7"

Center Flow Magnets

Center Flow Magnets are ideal for use in dilute phase pneumatic conveyor systems, handling materials that are non-abrasive or not subject to damage by impact. It can be installed easily in any position or angle with supplied compression fittings. Recommended installation location is in long vertical runs. This is because air is more homogenous and distributed throughout the cross section of pipe, exposing the conveyed material and any tramp metal to the full surface area of the magnetic cartridge. Center Flow Magnets can also be used in horizontal or sloping runs when necessary or required by the application. The best choice for Food and Plastic / Rubber industry applications.

SPECIFICATIONS

General Material: 13 Ga. 302/304 stainless steel with standard size tube ends.

Magnet Material: Rare Earth.

Magnet Design: Standard plate magnet with 400 series stainless steel exposed pole face. Other face styles available.

Construction: Housing is seam welded into an integral unit. Magnet furnished with latches, hinge, and silicone gasket. Compression couplings provided for installation. Special adapters available upon request.

Method of Cleaning: Manual, form outside of housing, utilizing hinged swing-away magnet. Self-cleaning models available.

Sizes: Available 3" through 6" line sizes.

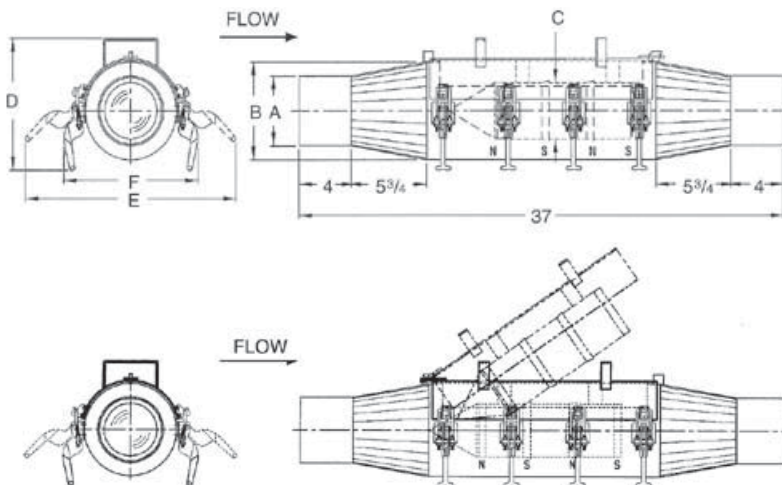


PART NO.	LINE OD	PRICE
CFM-3-CR	3"	Call for Pricing 800-627-1033
CFM-4-CR	4"	
CFM-5-CR	5"	
CFM-6-CR	6"	

CR=Ceramic

PART NO.	LINE OD	PRICE
CFM-3-NE	3"	Call for Pricing 800-627-1033
CFM-4-NE	4"	
CFM-5-NE	5"	
CFM-6-NE	6"	

NE=Rare Earth



PART NO.	"A"	"B"	"C"	"D"	"E"	"F"
CFM-3-CR	3"	6"	4"	8-7/8"	14-1/8"	7-1/4"
CFM-4-CR	4"	6"	4"	8-7/8"	15-1/8"	9-1/4"
CFM-5-CR	5"	7"	4"	9-1/2"	14-1/8"	10-1/4"
CFM-6-CR	6"	8"	5"	10"	14-1/8"	11-1/4"
CFM-3-NE	3"	6"	4"	8-7/8"	14-1/8"	7-1/4"
CFM-4-NE	4"	6"	4"	8-7/8"	15-1/8"	9-1/4"
CFM-5-NE	5"	7"	4"	9-1/2"	14-1/8"	10-1/4"
CFM-6-NE	6"	8"	5"	10"	14-1/8"	11-1/4"

Torpedo In-Line Magnets

Torpedo In-line Magnets provide magnetic protection for vacuum systems. By clamping directly into flexible hoses to capture ferrous contaminants, the compact Torpedo In-line Magnet is an ideal option for use between gayloads and vacuum loaders or where ever overhead space is limited. Torpedo In-line Magnets feature space-saving design and permanent Rare Earth (NE) magnets for high-energy tramp-iron capture and holding power. The choice for plastic molding applications.

PART NO.	LINE OD	PRICE
TIM-15	1.5"	Call for Pricing
TIM-20	2.0"	
TIM-25	2.5"	

