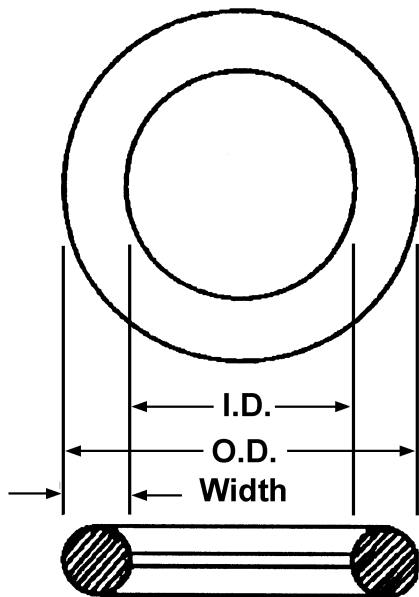


***Trips to a local store for a few o-rings are expensive!
Our low priced o-rings are just a phone call away!***

O-Ring size is determined by
Inside Diameter (I.D.)
and Width (Cross Section).



Buna-N (Nitrile) NBR

The standard for most general applications:
petroleum base lubricants, hydraulic oils,
gasoline, fuels, alcohol, L.P. gases, water
and many other media.

TEMPERATURE RANGE: -40°F to +275°F

**MATERIAL
NUMBER
BN70**

***FOR LARGE QUANTITIES,
ASK ABOUT DISCOUNTED PRICES!***



***Other sizes and materials available including Ethylene-Propylene, Silicone,
Neoprene, Viton, and Fluorosilicone. Minimum requirements may apply.***

**SFP part numbers are identical to the AS-568 numbering system,
indicating precise I.D., O.D., and width dimensions.**

Buna-N 70 O-Rings...continued



If you use large quantities, let us quote discounted volume pricing!



Widths: 1/16" 3/32"

PART NO.	NOMINAL SIZE			PRICE PER PKG.
	I.D.	O.D.	WIDTH	
-004	5/64"	13/64"	1/16"	Call for Pricing 800-627-1033
-005	3/32"	7/32"	1/16"	
-006	1/8"	1/4"	1/16"	
-007	5/32"	9/32"	1/16"	
-008	3/16"	5/16"	1/16"	
-009	7/32"	11/32"	1/16"	
-010	1/4"	3/8"	1/16"	
-011	5/16"	7/16"	1/16"	
-012	3/8"	1/2"	1/16"	
-013	7/16"	9/16"	1/16"	
-014	1/2"	5/8"	1/16"	
-015	9/16"	11/16"	1/16"	
-016	5/8"	3/4"	1/16"	
-017	11/16"	13/16"	1/16"	
-018	3/4"	7/8"	1/16"	
-019	13/16"	15/16"	1/16"	
-020	7/8"	1"	1/16"	
-021	15/16"	1 1/16"	1/16"	
-022	1"	1 1/8"	1/16"	
-023	1 1/16"	1 3/16"	1/16"	
-024	1 1/8"	1 1/4"	1/16"	
-025	1 3/16"	1 5/16"	1/16"	
-026	1 1/4"	1 3/8"	1/16"	
-027	1 5/16"	1 7/16"	1/16"	
-028	1 3/8"	1 1/2"	1/16"	
-029	1 1/2"	1 5/8"	1/16"	
-030	1 5/8"	1 3/4"	1/16"	
-031	1 3/4"	1 7/8"	1/16"	
-032	1 7/8"	2"	1/16"	
-033	2"	2 1/8"	1/16"	
-034	2 1/8"	2 1/4"	1/16"	
-035	2 1/4"	2 3/8"	1/16"	
-036	2 3/8"	2 1/2"	1/16"	
-037	2 1/2"	2 5/8"	1/16"	
-038	2 5/8"	2 3/4"	1/16"	
-039	2 3/4"	2 7/8"	1/16"	
-040	2 7/8"	3"	1/16"	
-041	3"	3 1/8"	1/16"	
-042	3 1/4"	3 3/8"	1/16"	
-043	3 1/2"	3 5/8"	1/16"	
-044	3 3/4"	3 7/8"	1/16"	
-045	4"	4 1/8"	1/16"	
-046	4 1/4"	4 3/8"	1/16"	
-047	4 1/2"	4 5/8"	1/16"	
-048	4 3/4"	4 7/8"	1/16"	
-049	5"	5 1/8"	1/16"	
-050	5 1/4"	5 3/8"	1/16"	

PART NO.	NOMINAL SIZE			PRICE PER PKG.
	I.D.	O.D.	WIDTH	
-105	5/32"	11/32"	3/32"	Call for Pricing 800-627-1033
-106	3/16"	1/4"	3/32"	
-107	7/32"	13/32"	3/32"	
-108	1/4"	5/16"	3/32"	
-109	5/16"	3/8"	3/32"	
-110	3/8"	9/16"	3/32"	
-111	7/16"	5/8"	3/32"	
-112	1/2"	11/16"	3/32"	
-113	9/16"	3/4"	3/32"	
-114	5/8"	13/16"	3/32"	
-115	11/16"	7/8"	3/32"	
-116	3/4"	15/16"	3/32"	
-117	13/16"	1"	3/32"	
-118	7/8"	1 1/16"	3/32"	
-119	15/16"	1 1/8"	3/32"	
-120	1"	1 3/16"	3/32"	
-121	1 1/16"	1 1/4"	3/32"	
-122	1 1/8"	1 5/16"	3/32"	
-123	1 3/16"	1 3/8"	3/32"	
-124	1 1/4"	1 7/16"	3/32"	
-125	1 5/16"	1 1/2"	3/32"	
-126	1 3/8"	1 9/16"	3/32"	
-127	1 7/16"	1 5/8"	3/32"	
-128	1 1/2"	1 11/16"	3/32"	
-129	1 9/16"	1 3/4"	3/32"	
-130	1 5/8"	1 13/16"	3/32"	
-131	1 11/16"	1 7/8"	3/32"	
-132	1 3/4"	1 5/16"	3/32"	
-133	1 13/16"	2"	3/32"	
-134	1 7/8"	2 1/16"	3/32"	
-135	1 15/16"	2 1/8"	3/32"	
-136	2"	2 3/16"	3/32"	
-137	2 1/16"	2 1/4"	3/32"	
-138	2 1/8"	2 5/16"	3/32"	
-139	2 3/16"	2 3/8"	3/32"	
-140	2 1/4"	2 7/16"	3/32"	
-141	2 5/16"	2 1/2"	3/32"	
-142	2 3/8"	2 9/16"	3/32"	
-143	2 7/16"	2 5/8"	3/32"	
-144	2 1/2"	2 11/16"	3/32"	
-145	2 9/16"	2 3/4"	3/32"	
-146	2 5/8"	2 13/16"	3/32"	
-147	2 11/16"	2 7/8"	3/32"	
-148	2 3/4"	2 15/16"	3/32"	
-149	2 13/16"	3"	3/32"	
-150	2 7/8"	3 1/16"	3/32"	
-151	3"	3 3/16"	3/32"	
-152	3 1/4"	3 7/16"	3/32"	
-153	3 1/2"	3 11/16"	3/32"	
-154	3 3/4"	3 15/16"	3/32"	
-155	4"	4 3/16"	3/32"	
-156	4 1/4"	4 7/16"	3/32"	
-157	4 1/2"	4 11/16"	3/32"	
-158	4 3/4"	4 15/16"	3/32"	
-159	5"	5 3/16"	3/32"	
-160	5 1/4"	5 7/16"	3/32"	
-161	5 1/2"	5 11/16"	3/32"	
-162	5 3/4"	5 15/16"	3/32"	
-163	6"	6 3/16"	3/32"	



PART NO.	NOMINAL SIZE			PRICE PER PKG.
	I.D.	O.D.	WIDTH	
-203	5/16"	9/16"	1/8"	
-204	3/8"	5/8"	1/8"	
-205	7/16"	11/16"	1/8"	
-206	1/2"	3/4"	1/8"	
-207	9/16"	13/16"	1/8"	
-208	5/8"	7/8"	1/8"	
-209	11/16"	15/16"	1/8"	
-210	3/4"	1"	1/8"	
-211	13/16"	1 1/16"	1/8"	
-212	7/8"	1 1/8"	1/8"	
-213	15/16"	1 3/16"	1/8"	
-214	1"	1 1/4"	1/8"	
-215	1 1/16"	1 5/16"	1/8"	
-216	1 1/8"	1 3/8"	1/8"	
-217	1 3/16"	1 7/16"	1/8"	
-218	1 1/4"	1 1/2"	1/8"	
-219	1 5/16"	1 9/16"	1/8"	
-220	1 3/8"	1 5/8"	1/8"	
-221	1 7/16"	1 11/16"	1/8"	
-222	1 1/2"	1 3/4"	1/8"	
-223	1 5/8"	1 7/8"	1/8"	
-224	1 3/4"	2"	1/8"	
-225	1 7/8"	2 1/8"	1/8"	
-226	2"	2 1/4"	1/8"	
-227	2 1/8"	2 3/8"	1/8"	
-228	2 1/4"	2 1/2"	1/8"	
-229	2 3/8"	2 5/8"	1/8"	
-230	2 1/2"	2 3/4"	1/8"	
-231	2 5/8"	2 7/8"	1/8"	
-232	2 3/4"	3"	1/8"	
-233	2 7/8"	3 1/8"	1/8"	
-234	3"	3 1/4"	1/8"	
-235	3 1/8"	3 3/8"	1/8"	
-236	3 1/4"	3 1/2"	1/8"	
-237	3 3/8"	3 5/8"	1/8"	
-238	3 1/2"	3 3/4"	1/8"	
-239	3 5/8"	3 7/8"	1/8"	
-240	3 3/4"	4"	1/8"	
-241	3 7/8"	4 1/8"	1/8"	
-242	4"	4 1/4"	1/8"	
-243	4 1/8"	4 3/8"	1/8"	
-244	4 1/4"	4 1/2"	1/8"	
-245	4 3/8"	4 5/8"	1/8"	
-246	4 1/2"	4 3/4"	1/8"	
-247	4 5/8"	4 7/8"	1/8"	
-248	4 3/4"	5"	1/8"	
-249	4 7/8"	5 1/8"	1/8"	
-250	5"	5 1/4"	1/8"	
-251	5 1/8"	5 3/8"	1/8"	
-252	5 1/4"	5 1/2"	1/8"	
-253	5 3/8"	5 5/8"	1/8"	
-254	5 1/2"	5 3/4"	1/8"	
-255	5 5/8"	5 7/8"	1/8"	
-256	5 3/4"	6"	1/8"	
-257	5 7/8"	6 1/8"	1/8"	
-258	6"	6 1/4"	1/8"	
-259	6 1/4"	6 1/2"	1/8"	
-260	6 1/2"	6 3/4"	1/8"	

Call for Pricing 800-627-1033



Widths: 1/8" 3/16"

PART NO.	NOMINAL SIZE			PRICE PER PKG.
	I.D.	O.D.	WIDTH	
-310	1/2"	7/8"	3/16"	
-311	9/16"	15/16"	3/16"	
-312	5/8"	1"	3/16"	
-313	11/16"	1 1/16"	3/16"	
-314	3/4"	1 1/8"	3/16"	
-315	13/16"	1 3/16"	3/16"	
-316	7/8"	1 1/4"	3/16"	
-317	15/16"	1 5/16"	3/16"	
-318	1"	1 3/8"	3/16"	
-319	1 1/16"	1 7/16"	3/16"	
-320	1 1/8"	1 1/2"	3/16"	
-321	1 3/16"	1 9/16"	3/16"	
-322	1 1/4"	1 5/8"	3/16"	
-323	1 5/16"	1 11/16"	3/16"	
-324	1 3/8"	1 3/4"	3/16"	
-325	1 1/2"	1 7/8"	3/16"	
-326	1 5/8"	2"	3/16"	
-327	1 3/4"	2 1/8"	3/16"	
-328	1 7/8"	2 1/4"	3/16"	
-329	2"	2 3/8"	3/16"	
-330	2 1/8"	2 1/2"	3/16"	
-331	2 1/4"	2 5/8"	3/16"	
-332	2 3/8"	2 3/4"	3/16"	
-333	2 1/2"	2 7/8"	3/16"	
-334	2 5/8"	3"	3/16"	
-335	2 3/4"	3 1/8"	3/16"	
-336	2 7/8"	3 1/4"	3/16"	
-337	3"	3 3/8"	3/16"	
-338	3 1/8"	3 1/2"	3/16"	
-339	3 1/4"	3 5/8"	3/16"	
-340	3 3/8"	3 3/4"	3/16"	
-341	3 1/2"	3 7/8"	3/16"	
-342	3 5/8"	4"	3/16"	
-343	3 3/4"	4 1/8"	3/16"	
-344	3 7/8"	4 1/4"	3/16"	
-345	4"	4 3/8"	3/16"	
-346	4 1/8"	4 1/2"	3/16"	
-347	4 1/4"	4 5/8"	3/16"	
-348	4 3/8"	4 3/4"	3/16"	
-349	4 1/2"	4 7/8"	3/16"	
-350	4 5/8"	5"	3/16"	
-351	4 3/4"	5 1/8"	3/16"	
-352	4 7/8"	5 1/4"	3/16"	
-353	5"	5 3/8"	3/16"	
-354	5 1/8"	5 1/2"	3/16"	
-355	5 1/4"	5 5/8"	3/16"	
-356	5 3/8"	5 3/4"	3/16"	
-357	5 1/2"	5 7/8"	3/16"	
-358	5 5/8"	6"	3/16"	
-359	5 3/4"	6 1/8"	3/16"	
-360	5 7/8"	6 1/4"	3/16"	

Call for Pricing 800-627-1033

O-Ring Kits

Buna-N 70 Duro Universal Kit

Kit Includes: 500 O-rings
30 Standard Sizes
Part No.: **U-500-BN70**
Price Ea.: Call for Pricing

TEMPERATURE:
Buna-N 70: -40°F to +275°F
Viton 75: -45°F to +500°F

Universal Kits Include:

-006 35 Pieces	-007 35 Pieces	-008 35 Pieces	-009 35 Pieces	-010 35 Pieces	-011 35 Pieces
-012 35 Pieces	-110 20 Pieces	-111 20 Pieces	-112 20 Pieces	-113 20 Pieces	-114 16 Pieces
-115 16 Pieces	-116 16 Pieces	-210 10 Pieces	-211 10 Pieces	-212 10 Pieces	-213 10 Pieces
-214 10 Pieces	-215 10 Pieces	-216 10 Pieces	-217 7 Pieces	-218 7 Pieces	-219 7 Pieces
-220 7 Pieces	-221 7 Pieces	-222 7 Pieces	-325 5 Pieces	-326 5 Pieces	-327 5 Pieces



Viton 75 Duro Universal Kit

Kit Includes: 500 O-rings
30 Standard Sizes
Part No.: **U-500-VT75**
Price Ea.: Call for Pricing

O-Ring Splicing Kits

Make Quality Custom O-rings in Minutes!

- ✓ No more delays when machines are down!
- ✓ No more ordering excessive amounts when you only need one!
- ✓ Great for large, expensive, hard-to-find sizes!



Part No.: ORSK-BN
Call for Pricing

KIT INCLUDES:

- Buna-N Cord Stock (7' of each nominal diameter: 0.103, 0.139, 0.210, 0.275)
- Cutting Blade
- Cutting and Splicing Jig
- Rapid-set Adhesive

Part No.: ORSK-VT
Call for Pricing

KIT INCLUDES:

- Viton75 Stock (7' of each nominal diameter: 0.103, 0.139, 0.210, 0.275)
- Cutting Blade
- Cutting and Splicing Jig
- Rapid-set Adhesive