

Heater Bands

HUGE SELECTION OF HEATER BANDS
READY TO SHIP TODAY

Over
20,000
in Stock!



CONSTRUCTION:

- All construction types are shown and stocked with 12" (length) leads, unless otherwise noted.
- Standard Barrel Nuts ($\frac{3}{8}$ " high) are normally supplied on bands $1\frac{1}{2}$ " I.D. or larger.

We have a wide variety of sizes and constructions IN STOCK and ready to ship the same day.

If your heater band isn't on the shelf,

CALL TODAY FOR
MORE INFORMATION
ON



800-627-1033

Quotation Requests

NEED A QUICK QUOTE?

In a hurry for a quote? Services For Plastics, Inc. has a solution. To expedite your quotation request, you can now request a quote on-line. Simply visit our website and click "REQUEST A QUOTE." Select the desired product, then complete and submit the form. It's convenient, quick and simple to use!

*quick*QUOTE

www.servicesforplastics.com

Get A Quote in
24 Hours or Less

TRY IT TODAY!

Heater Bands



Manufactured from
TOP QUALITY
Mica Insulation
and Materials

***Many sizes and constructions in stock,
or we can build a band to your specifications!***

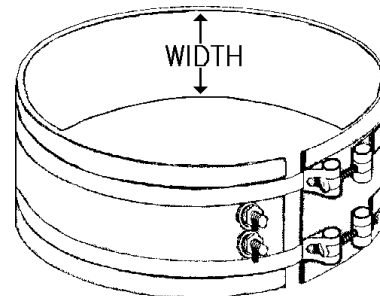
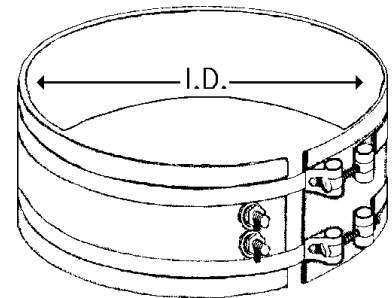
Competitive pricing on a full-line of top quality bands!

Construction Notes:

- All construction types shown are stocked with 12" (length) leads, unless otherwise noted.
- Standard Barrel Nuts ($\frac{3}{8}$ " high) are normally supplied on bands $1\frac{1}{2}$ " I.D. or larger.
- We supply a Low Profile Barrel Nut Strap ($\frac{7}{32}$ " high) on bands under $1\frac{1}{2}$ " I.D.

When ordering, please specify the following information:

- Quantity and Part Number (if known)
- Inside Diameter (I.D.)
- Width (W)
- Voltage (2-pc. construction; specify total voltage)
- Wattage (2-pc. construction; specify total wattage)
- Basic Construction Type (A-Z)
- Lead Lengths Desired (stock length 12") or Post Terminals (10-24 thread size)
- Any Special Options Required



SFP reserves the right to overship special order standard, mica, and economy heater bands.

Heater Bands...Configurations

Type A



Barrel Nut Strap

Metal braid leads exit from both sides of gap.

Type B



Barrel Nut Strap

Non-metal braid leads exit from both sides of gap.

Type C



Barrel Nut Strap

Leads exit from one side of gap through outside surface of heater. *Options 1,2,3.**

Type D



Barrel Nut Strap

Leads exit from edge on opposite side from gap. *Options 2,3.**

Type E



Barrel Nut Strap

Leads exit from each side of gap through inside. *Option 3 only.**

Type F



Flange Lock-up

Leads exit from both sides of gap through edge. *Options 2,3.*^*

Type G



Barrel Nut Strap

Metal braid leads exit from edge on one side of gap.

Type H



Barrel Nut Strap

1 pc.; One post terminal on each side of gap.

Type I



Barrel Nut Strap

2 pc.; Post terminals at each end of heater.

Type J



Barrel Nut Strap

1 pc.; Two post terminals on one side of gap.

Type K



Barrel Nut Strap

2 pc.; Two post terminals on each side of gap.

Type L



Barrel Nut Strap

Expandable; *Options 1,2,3,16.**

Type M



Barrel Nut Strap

Cushioned clamping strap partially covers heater. *Options 1,2,3,16.**

Type N



Flange Lock-up

1 pc.; Leads exit from one side of gap through outside surface of heater. *Options 1,2,3.*^*

Type O



Flange Lock-up

2 pc.; Leads exit from both sides of gap through outside surface of heater. *Options 1,2,3.*^*

Type P



Tapered Wedge Lock

Leads exit from both sides of gap through edge. *Options 2,3.**

**See Optional Features on following page.*

^See "NOTE" on following page.

Heater Bands...Configurations

Type Q



Flange Lock-up
Hinged; Post terminals at each end of heater.^

Type R



Flange Lock-up
Hinged; Two post terminals on each side of

Type S



Flange Lock-up
Hinged; Leads exit from both sides of gap through outside surface of heater.

Type T



Flange Lock-up
1 pc.; One post terminal on each side of gap.^

Type U



Flange Lock-up
2 pc.; Post terminals at each end of heater.^

Type V



Flange Lock-up
1 pc.; Two post terminals on one side of gap.^

Type W




Flange Lock-up
2 pc.; Two post terminals on each side of gap.^

Type X



Extended Flange with Electrical Connections
1 pc.; *Options*

Type Y



Extended Flange with Electrical Connections
2 pc.; *Options*

Type Z



Hexagonal Band Heater
Leads exit from both sides of gap through edge.

^NOTE: ON FLANGED BANDS, when post terminals are specified at the same end of the band, they will normally be located as follows: bands under 2" wide, post terminals will be placed tandem, around the circumference of the band; bands 2" wide and over, post terminals will be placed across the width of the band.

*Optional Features:

1. Flexible Armor (BX) Installed Over Flexible Leads
2. Metal Braid Installed Over Flexible Leads
3. Flexible Fiberglass Leads (Insulated Nickel or Nickel-clad Conductor) Installed with 2" Fiberglass Boot
4. Low Profile Band, Presized for Slip Fit by Installation of Punch Lock Straps
5. Terminal Box
6. Flexible Armor in Right Angle Bracket
7. Thermocouple Hole
8. Button Terminals
9. Appliance Pins
10. Twist Lock Plug Installed on Leads
11. Extra Wide Gap (specify)
12. Grounding Stud
13. Dual Voltage (specify)
14. Stainless Steel Sheath
15. Low Profile Strap (specify this option only if desired on sizes where not normally supplied)
16. Post Terminals

For information and pricing on other sizes and types of heaters not listed, call SFP at 1-800-627-1033.

Standard Mica Heater Bands...continued

PART NO.	I.D.	WIDTH	TOTAL VOLTS	TOTAL WATTS	CONSTRUCTION TYPE	PRICE EACH	
						1-5	6-11+
1MS003B	1"	1"	120	100	Type B - 12" Flexible Leads		
1MS065P3	1"	1"	120	100	Type P3 Wedge - 12" Flexible Leads		
1MS068B	1"	1"	120	125	Type B - 12" Flexible Leads		
1MS069A	1"	1"	240	100	Type A - 12" Stainless Steel Leads		
1MS098A	1"	1"	240	100	Type A - 24" Stainless Steel Leads		
1MS004B	1"	1"	240	100	Type B - 12" Flexible Leads		
1MS066P3	1"	1"	240	100	Type P3 Wedge - 12" Flexible Leads		
1MS067B	1"	1"	240	125	Type B - 12" Flexible Leads		
1MS005B	1"	1½"	120	150	Type B - 12" Flexible Leads		
1MS006B	1"	1½"	240	150	Type B - 12" Flexible Leads		
1MS072B	1"	1½"	240	150	Type B - 18" Flexible Leads		
1MS070P2	1"	1½"	240	150	Type P2 Wedge - 12" SS Leads		
1MS071P3	1"	1½"	240	175	Type P3 Wedge - 12" Flexible Leads		
1MS007B	1"	2"	120	200	Type B - 12" Flexible Leads		
1MS075A	1"	2"	240	200	Type A - 12" Stainless Steel Leads		
1MS008B	1"	2"	240	200	Type B - 12" Flexible Leads		
1MS073P2	1"	2"	240	200	Type P2 Wedge - 12" SS Leads		
1MS010B	1"	2½"	240	250	Type B - 12" Flexible Leads		
1MS011B	1"	3"	120	300	Type B - 12" Flexible Leads		
1MS012B	1"	3"	240	300	Type B - 12" Flexible Leads		
1MS076B	1"	3"	240	350	Type B - 12" Flexible Leads		
1MS013B	1"	4"	120	400	Type B - 12" Flexible Leads		
1MS014B	1"	4"	240	400	Type B - 12" Flexible Leads		
1MS015B	1"	5"	120	500	Type B - 12" Flexible Leads		
1MS016B	1"	5"	240	500	Type B - 12" Flexible Leads		
1MS149A	1"	4"	240	400	Type A - 48" Stainless Steel Leads		
1MS150A	1"	6"	240	625	Type A - 48" Stainless Steel Leads		
1MS017B	1¼"	1"	120	125	Type B - 12" Flexible Leads		
1MS018B	1¼"	1"	240	125	Type B - 12" Flexible Leads		
1MS019B	1¼"	1½"	120	200	Type B - 12" Flexible Leads		
1MS020B	1¼"	1½"	240	200	Type B - 12" Flexible Leads		
1MS021B	1¼"	2"	120	250	Type B - 12" Flexible Leads		
1MS022B	1¼"	2"	240	250	Type B - 12" Flexible Leads		
1MS119B	1¼"	2½"	240	350	Type B - 12" Flexible Leads		
1MS023B	1¼"	3"	120	400	Type B - 12" Flexible Leads		
1MS024B	1¼"	3"	240	400	Type B - 12" Flexible Leads		
1MS025B	1⅜"	1"	120	200	Type B - 12" Flexible Leads		
1MS026B	1⅜"	1"	240	200	Type B - 12" Flexible Leads		
1MS027B	1⅜"	1½"	120	200	Type B - 12" Flexible Leads		
1MS028B	1⅜"	1½"	240	200	Type B - 12" Flexible Leads		
1MS029B	1⅜"	2"	120	300	Type B - 12" Flexible Leads		
1MS030B	1⅜"	2"	240	300	Type B - 12" Flexible Leads		
1MS185B	1⅜"	⅝"	120	100	Type B - 12" Flexible Leads		
1MS031B	1½"	½"	120	100	Type B - 12" Flexible Leads		
1MS032B	1½"	½"	240	100	Type B - 12" Flexible Leads		
1MS033B	1½"	1"	120	150	Type B - 12" Flexible Leads		

Call for Pricing 800-627-1033

Flex. Lds. = Flexible Leads

SS Lds. = Stainless Steel Leads

*Indicates direct replacement for Van Dorn bands.



Standard Mica Heater Bands...continued

PART NO.	I.D.	WIDTH	TOTAL VOLTS	TOTAL WATTS	CONSTRUCTION TYPE	PRICE EACH	
						1-5	6-11+
1MS034B	1½"	1"	240	150	Type B - 12" Flexible Leads		
1MS103B	1½"	1¼"	240	250	Type B - 12" Flexible Leads		
1MS038A	1½"	1½"	120	275	Type A - 12" Stainless Steel Leads		
1MS036B	1½"	1½"	120	275	Type B - 12" Flexible Leads		
1MS077P3	1½"	1½"	120	275	Type P3 Wedge - 12" Flexible Leads		
1MS099A*	1½"	1½"	230	275	Type A - 54" Stainless Steel Leads		
1MS035B	1½"	1½"	240	250	Type B - 12" Flexible Leads		
1MS074B	1½"	1½"	240	250	Type B - 36" Flexible Leads		
1MS039A	1½"	1½"	240	275	Type A - 12" Stainless Steel Leads		
1MS102A	1½"	1½"	240	275	Type A - 18" Stainless Steel Leads		
1MS037B	1½"	1½"	240	275	Type B - 12" Flexible Leads		
1MS078P3	1½"	1½"	240	275	Type P3 Wedge - 12" Flexible Leads		
1MS200B	1½"	1½"	240	275	Type B - 24" Flexible Leads		
1MS080A	1½"	1½"	240	300	Type A - 12" Stainless Steel Leads		
1MS040B	1½"	2"	120	300	Type B - 12" Flexible Leads		
1MS107P3	1½"	2"	120	300	Type P3 Wedge - 12" Flexible Leads		
1MS108P3	1½"	2"	240	300	Type P3 Wedge - 12" Flexible Leads		
1MS082A	1½"	2"	240	300	Type A - 12" Stainless Steel Leads		
1MS041B	1½"	2"	240	300	Type B - 12" Flexible Leads		
1MS042B	1½"	2½"	120	400	Type B - 12" Flexible Leads		
1MS114A	1½"	2½"	240	400	Type A - 36" Stainless Steel Leads		
1MS043B	1½"	2½"	240	400	Type B - 12" Flexible Leads		
1MS140B	1½"	2½"	480	300	Type B - 12" Flexible Leads		
1MS191A	1½"	2½"	240	450	Type A - 36" Stainless Steel Leads		
1MS084B	1½"	3"	120	400	Type B - 12" Flexible Leads		
1MS044B	1½"	3"	120	450	Type B - 12" Flexible Leads		
1MS045B	1½"	3"	240	450	Type B - 12" Flexible Leads		
1MS083P3	1½"	3"	240	450	Type P3 Wedge - 12" Flexible Leads		
1MS194B	1½"	3"	240	450	Type B - 48" Flexible Leads		
1MS188B	1½"	3"	460	450	Type B - 12" Flexible Leads		
1MS046B	1½"	3½"	120	525	Type B - 12" Flexible Leads		
1MS047B	1½"	3½"	240	525	Type B - 12" Flexible Leads		
1MS048B	1½"	4"	120	550	Type B - 12" Flexible Leads		
1MS086B	1½"	4"	240	500	Type B - 12" Flexible Leads		
1MS049B	1½"	4"	240	550	Type B - 12" Flexible Leads		
1MS112P3	1½"	5"	120	650	Type P3 Wedge - 12" Flexible Leads		
1MS050B	1½"	5"	120	700	Type B - 12" Flexible Leads		
1MS113P3	1½"	5"	240	650	Type P3 Wedge - 12" Flexible Leads		
1MS051B	1½"	5"	240	700	Type B - 12" Flexible Leads		
1MS087B	1½"	6"	120	850	Type B - 12" Flexible Leads		
1MS088B	1½"	6"	240	850	Type B - 12" Flexible Leads		
1MS052B	1¾"	1"	120	175	Type B - 12" Flexible Leads		
1MS053B	1¾"	1"	240	175	Type B - 12" Flexible Leads		
1MS054B	1¾"	1½"	120	250	Type B - 12" Flexible Leads		

Call for Pricing 800-627-1033

Flex. Lds. = Flexible Leads

SS Lds. = Stainless Steel Leads

***Indicates direct replacement for Van Dorn bands.**



Standard Mica Heater Bands...continued

PART NO.	I.D.	WIDTH	TOTAL VOLTS	TOTAL WATTS	CONSTRUCTION TYPE	PRICE EACH	
						1-5	6-11+
1MS091B	1¾"	1½"	120	300	Type B - 12" Flexible Leads		
1MS055B	1¾"	1½"	240	250	Type B - 12" Flexible Leads		
1MS090B	1¾"	1½"	240	300	Type B - 12" Flexible Leads		
1MS056B	1¾"	2"	120	350	Type B - 12" Flexible Leads		
1MS057B	1¾"	2"	240	350	Type B - 12" Flexible Leads		
1MS092B	1¾"	2"	240	400	Type B - 12" Flexible Leads		
1MS058B	1¾"	2½"	120	350	Type B - 12" Flexible Leads		
1MS059B	1¾"	2½"	240	350	Type B - 12" Flexible Leads		
1MS060B	1¾"	3"	120	500	Type B - 12" Flexible Leads		
1MS061B	1¾"	3"	240	500	Type B - 12" Flexible Leads		
1MS116A	1¾"	4"	240	400	Type A - 24" Stainless Steel Leads		
1MS115B	1¾"	4"	240	700	Type B - 12" Flexible Leads		
1MS062B	1¾"	5"	120	900	Type B - 12" Flexible Leads		
1MS063B	1¾"	5"	240	900	Type B - 12" Flexible Leads		
2MS001B	2"	1"	120	200	Type B - 12" Flexible Leads		
2MS002B	2"	1"	240	200	Type B - 12" Flexible Leads		
1MS078B	2"	1"	240	300	Type B - 12" Flexible Leads		
2MS003B	2"	1½"	120	300	Type B - 12" Flexible Leads		
2MS004B	2"	1½"	240	300	Type B - 12" Flexible Leads		
2MS005B	2"	2"	120	400	Type B - 12" Flexible Leads		
2MS006B	2"	2"	240	400	Type B - 12" Flexible Leads		
2MS031C2	2"	2"	240	400	Type C - 24" Stainless Steel Leads		
2MS041H	2"	2"	240	400	Type H - Post Terminals		
2MS007B	2"	2½"	120	500	Type B - 12" Flexible Leads		
2MS008B	2"	2½"	240	500	Type B - 12" Flexible Leads		
2MS009B	2"	3"	120	600	Type B - 12" Flexible Leads		
2MS010B	2"	3"	240	600	Type B - 12" Flexible Leads		
2MS044A	2"	4"	240	400	Type A - 12" Stainless Steel Leads		
2MS011B	2"	5"	120	900	Type B - 12" Flexible Leads		
2MS012B	2"	5"	240	900	Type B - 12" Flexible Leads		
2MS034D	2⅛"	1"	240	250	Type D - 12" Flexible Leads		
2MS101B	2⅛"	3"	120	700	Type B - 12" Flexible Leads		
2MS013B	2¼"	1"	120	225	Type B - 12" Flexible Leads		
2MS014B	2¼"	1"	240	225	Type B - 12" Flexible Leads		
2MS015B	2¼"	2"	120	450	Type B - 12" Flexible Leads		
2MS016B	2¼"	2"	240	450	Type B - 12" Flexible Leads		
2MS047B	2¼"	2½"	120	500	Type B - 12" Flexible Leads		
2MS017B	2¼"	3"	120	700	Type B - 12" Flexible Leads		
2MS018B*	2⅜"	1"	240	250	Type B - 12" Flexible Leads		
2MS035H*	2⅜"	1"	230	250	Type H - Post Terminals		
2MS045B	2⅜"	2"	240	500	Type B - 12" Flexible Leads		
2MS036C3*	2⅞"	1"	230	250	Type C3 - 72" Flexible Leads		
2MS019B	2½"	1"	120	300	Type B - 12" Flexible Leads		
2MS020B	2½"	1"	240	300	Type B - 12" Flexible Leads		

Call for Pricing 800-627-1033

Flex. Lds. = Flexible Leads

SS Lds. = Stainless Steel Leads

*Indicates direct replacement for Van Dorn bands.



Standard Mica Heater Bands...continued

PART NO.	I.D.	WIDTH	TOTAL VOLTS	TOTAL WATTS	CONSTRUCTION TYPE	PRICE EACH	
						1-5	6-11+
2MS040B	2½"	1¼"	240	300	Type B - 36" Flexible Leads		
2MS021B	2½"	1½"	120	350	Type B - 12" Flexible Leads		
2MS028B	2½"	1½"	240	300	Type B - 12" Flexible Leads		
2MS022B	2½"	1½"	240	350	Type B - 12" Flexible Leads		
2MS059B	2½"	1½"	240	450	Type B - 108" Flexible Leads		
2MS043H	2½"	1½"	240	450	Type H - Post Terminals		
2MS091B	2½"	1½"	480	350	Type B - 12" Flexible Leads		
2MS023B	2½"	2"	120	500	Type B - 12" Flexible Leads		
2MS089H	2½"	2½"	240	500	Type H - Post Terminals		
2MS062B	2½"	2½"	240	550	Type B - 108" Flexible Leads		
2MS099H	2½"	2½"	240	550	Type H - Post Terminals		
2MS024B	2½"	2"	240	500	Type B - 12" Flexible Leads		
2MS025B	2½"	3"	120	700	Type B - 12" Flexible Leads		
2MS026B	2½"	3"	240	700	Type B - 12" Flexible Leads		
2MS042B	2¾"	1"	240	425	Type B - 12" Flexible Leads		
2MS056H	2¾"	1"	240	425	Type H - Post Terminals		
2MS030B	2¾"	1½"	240	400	Type B - 12" Flexible Leads		
2MS032B	2¾"	2"	220	350	Type B - 12" Flexible Leads		
3MS001B	3"	1"	120	300	Type B - 12" Flexible Leads		
3MS023A	3"	1"	230	400	Type A - 36" Stainless Steel Leads		
3MS015H*	3"	1"	230	400	Type H - Post Terminals		
3MS017C3*	3"	1"	230	400	Type C3 - 12" Flexible Leads		
3MS002B	3"	1"	240	300	Type B - 12" Flexible Leads		
3MS011H	3"	1"	240	400	Type H - Post Terminals		
3MS016I*	3"	1"	460	400	Type I - 2 pc. Post Terminals		
3MS014C3*	3"	1"	460	400	Type C3 - 12" Flexible Leads		
3MS003B	3"	1½"	120	500	Type B - 12" Flexible Leads		
3MS018H*	3"	1½"	220	450	Type H - Post Terminals		
3MS025H	3"	1½"	240	300	Type H - Post Terminals		
3MS004B	3"	1½"	240	500	Type B - 12" Flexible Leads		
3MS005H	3"	1½"	240	500	Type H - Post Terminals		
3MS042B	3"	2"	120	550	Type B - 12" Flexible Leads		
3MS028H	3¼"	1½"	240	500	Type H - Post Terminals		
3MS009A	3½"	1½"	240	300	Type A - 60" Stainless Steel Leads		
3MS006H	3½"	1½"	240	500	Type H - Post Terminals		
3MS007B	3½"	2"	120	650	Type B - 12" Flexible Leads		
3MS008H	3½"	2"	240	650	Type H - Post Terminals		
3MS013H	3½"	2"	480	800	Type H - Post Terminals		
3MS019C2	3½"	3¼"	240	1000	Type C2 - 12" Stainless Steel Leads		
3MS012H*	3⅝"	1½"	240	625	Type H - Post Terminals		
3MS010L16	3⅝"	1½"	240	650	Type L - Post Expandable		
4MS001H	4"	1"	120	450	Type H - Post Terminals		
4MS002H*	4"	1"	240	625	Type H - Post Terminals		
4MSA01I	4-4½"	1½"	240	550	Type I - 2 pc. Post Adjustable		
4MS015H*	4"	1½"	220	625	Type H - Post Terminals		
4MS016H*	4"	1½"	230	400	Type H - Post Terminals		
4MSA02I	4-4½"	1½"	480	550	Type I - 2 pc. Post Adjustable		

Call for Pricing 800-627-1033

Flex. Lds. = Flexible Leads

SS Lds. = Stainless Steel Leads

*Indicates direct replacement for Van Dorn bands.



Standard Mica Heater Bands...continued

PART NO.	I.D.	WIDTH	TOTAL VOLTS	TOTAL WATTS	CONSTRUCTION TYPE	PRICE EACH	
						1-5	6-11+
4MS024A	4"	1½"	240	625	Type A - 12" Stainless Steel Leads		
4MS009H	4"	1½"	240	625	Type H - Post Terminals		
4MS022H	4"	1½"	240	750	Type H - Post Terminals		
4MS017C3*	4"	1½"	460	625	Type C3 - 18" Flexible Leads		
4MS003H	4"	2"	120	800	Type H - Post Terminals		
4MS005H	4"	2"	240	800	Type H - Post Terminals		
4MS004MSP*	4"	2"	460	460	Type M - 2 pc. Special 270° Coverage		
4MS012H	4"	2"	480	800	Type H - Post Terminals		
4MS007H	4"	2"	480	1000	Type H - Post Terminals		
4MS008I	4"	2"	480	1000	Type I - 2 pc. Post Terminals		
4MS006I	4"	4"	480	1000	Type I - 2 pc. Post Terminals		
4MSA03I	4½-5"	1½"	240	650	Type I - 2 pc. Post Adjustable		
4MS011I	4½"	1½"	240	350	Type I - 2 pc. Post Terminals		
4MSA04I	4½-5"	1½"	480	650	Type I - 2 pc. Post Adjustable		
4MS026H	4¾"	2½"	480	900	Type H - Post Terminals		
4MS018I	4¾"	5"	240	1500	Type I - 2 pc. Post Terminals		
4MS029L16	4¾"	5½"	240	2000	Type L - Post Expandable		
4MS019J	4¾"	5½"	460	2000	Type J - Post Terminals		
5MS001H	5"	1"	120	550	Type H - Post Terminals		
5MS002H	5"	1"	240	550	Type H - Post Terminals		
5MSA01I	5-5½"	1½"	240	700	Type I - 2 pc. Post Adjustable		
5MSA02I	5-5½"	1½"	480	700	Type I - 2 pc. Post Adjustable		
5MSA03I	5-5½"	3"	480	1400	Type I - 2 pc. Post Adjustable		
5MS019H	5"	3½"	480	1000	Type H - Post Terminals		
5MS015H	5¼"	1"	240	600	Type H - Post Terminals		
5MS032H	5¼"	1"	460	600	Type H - Post Terminals		
5MS008H*	5¼"	1½"	230	600	Type H - Post Terminals		
5MS009H*	5¼"	1½"	230	1000	Type H - Post Terminals		
5MS006L16	5¼"	1½"	240	600	Type L - Post Expandable		
5MS003H	5¼"	1½"	240	1000	Type H - Post Terminals		
5MS029H	5¼"	1½"	460	600	Type H - Post Terminals		
5MS025L16	5¼"	1½"	460	600	Type L - Post Expandable		
5MS034H	5¼"	1½"	460	1000	Type H - Post Terminals		
5MS010I*	5¼"	1½"	480	600	Type I - 2 pc. Post Terminals		
5MS017I	5¼"	1½"	480	1000	Type I - 2 pc. Post Terminals		
5MS011MSP*	5¼"	2"	460	666	Type M - 2 pc. Special 270° Coverage		
5MS021H	5¼"	2¼"	460	1300	Type H - Post Terminals		
5MS004H	5¼"	3"	240	1700	Type H - Post Terminals		
5MS005H	5¼"	4½"	240	2400	Type H - Post Terminals		
5MS007H	5¼"	4½"	240	2700	Type H - Post Terminals		
5MS033H	5¼"	5"	230	2400	Type H - Post Terminals		
5MSA04I	5½-6"	1½"	480	800	Type I - 2 pc. Post Adjustable		
5MS014H	5¾"	1"	460	600	Type H - Post Terminals		
5MS012H*	5¾"	1½"	230	600	Type H - Post Terminals		
5MS043H	5¾"	1½"	240	1000	Type H - Post Terminals		
5MS035H	5¾"	1½"	460	1000	Type H - Post Terminals		
6MSA01I	6-6½"	1½"	480	850	Type I - 2 pc. Post Adjustable		

Call for Pricing 800-627-1033

Flex. Lds. = Flexible Leads

SS Lds. = Stainless Steel Leads

*Indicates direct replacement for Van Dorn bands.



7925 N. Clinton St., Fort Wayne, IN 46825 USA • Web: www.servicesforplastics.com • E-mail: sales@servicesforplastics.com
Toll Free Phone: 800-627-1033 • Fax: 800-482-4059 • Local Phone: 260-482-9211 • Fax: 260-483-8139

Standard Mica Heater Bands...continued

PART NO.	I.D.	WIDTH	TOTAL VOLTS	TOTAL WATTS	CONSTRUCTION TYPE	PRICE EACH	
						1-5	6-11+
6MS001I*	6"	1½"	230	1000	Type I - 2 pc. Post Terminals		
6MS002I	6"	1½"	480	900	Type I - 2 pc. Post Terminals		
6MS014H	6"	2½"	240	1400	Type H - Post Terminals		
6MSA02I	6-6½"	3"	480	1700	Type I - 2 pc. Post Adjustable		
6MSA03I	6½-7"	1½"	480	900	Type I - 2 pc. Post Adjustable		
6MS007H*	6¾"	1½"	230	815	Type H - Post Terminals		
6MS004H*	6¾"	1½"	230	600	Type H - Post Terminals		
6MS003H*	6¾"	1½"	230	1000	Type H - Post Terminals		
6MS005MSP*	6¾"	2½"	460	1150	Type M - 2 pc. Special 270° Coverage		
7MSA01I	7-7½"	1½"	480	1100	Type I - 2 pc. Post Adjustable		
7MS002H*	7½"	1½"	230	815	Type H - Post Terminals		
7MSA03I	7½-8"	1½"	240	850	Type I - 2 pc. Post Adjustable		
7MSA02I	7½-8"	1½"	480	1200	Type I - 2 pc. Post Adjustable		
7MS004H*	75/8"	3"	230	1800	Type H - Post Terminals		
7MS003H*	75/8"	3"	230	2000	Type H - Post Terminals		
8MSA01I	8-8½"	1½"	480	1300	Type I - 2 pc. Post Adjustable		
8MS002I*	8¼"	2"	220	1800	Type I - 2 pc. Post Terminals		
8MS003I*	8¼"	2"	440	1800	Type I - 2 pc. Post Terminals		
8MSA02I	8½-9"	1½"	480	1400	Type I - 2 pc. Post Adjustable		
8MS001I	8½"	3"	480	2000	Type I - 2 pc. Post Terminals		
9MSA01I	9-9½"	1½"	480	1500	Type I - 2 pc. Post Adjustable		
9MSA02I	9½-10"	1½"	240	1600	Type I - 2 pc. Post Adjustable		
9MS001H*	9½"	3"	240	2000	Type H - Post Terminals		
9MS002MSP*	9½"	3"	460	1930	Type M - 2 pc. Special 270° Coverage		
9MS003K*	9½"	6"	460	4000	Type K - 2 pc. Post Terminals		
10MSA01I	10-10½"	1½"	480	1700	Type I - 2 pc. Post Terminals		
11MS001KSP*	11¼"	3"	460	2400	Type K - 2 pc. Post Special		

Call for Pricing 800-627-1033

Flex. Lds. = Flexible Leads

SS Lds. = Stainless Steel Leads

*Indicates direct replacement for Van Dorn bands.



If you don't see what you're looking for, please give us a call. We have many other heater bands available; plus we can special order your size, voltage, wattage, and/or lead configuration.

CALL TODAY FOR MORE INFORMATION ON

800-627-1033



Economical Mica Heater Bands

Economical Mica Heater Bands are designed primarily for nozzle and narrow width sizes. The primary design difference between the economical and the standard mica bands is the thinness of the economical bands. This reduction in thickness not only contributes to the more economical pricing, but actually makes for a better heater (in the smaller sizes) by conforming more readily to the component being heated. Economical Mica Heater Bands are available with all of the standard options and designs available on our standard line of mica bands, and carry the same 1-year limited warranty.

PART NO.	I.D.	WIDTH	TOTAL VOLTS	TOTAL WATTS	CONSTRUCTION TYPE	PRICE EACH
1MA001B	1"	1"	120	100	Type B - 10" Flex. Lds.	Call for Pricing 800-627-1033
1MA002B	1"	1"	240	100	Type B - 10" Flex. Lds.	
1MA003B	1"	1½"	120	150	Type B - 10" Flex. Lds.	
1MA004B	1"	1½"	240	150	Type B - 10" Flex. Lds.	
1MA005B	1"	2"	120	200	Type B - 10" Flex. Lds.	
1MA006B	1"	2"	240	200	Type B - 10" Flex. Lds.	
1MA007B	1"	2½"	120	250	Type B - 10" Flex. Lds.	
1MA008B	1"	2½"	240	250	Type B - 10" Flex. Lds.	
1MA009B	1"	3"	120	300	Type B - 10" Flex. Lds.	
1MA010B	1"	3"	240	300	Type B - 10" Flex. Lds.	
1MA011B	1½"	1"	120	150	Type B - 10" Flex. Lds.	
1MA012B	1½"	1"	240	150	Type B - 10" Flex. Lds.	
1MA013B	1½"	1½"	120	275	Type B - 10" Flex. Lds.	
1MA014B	1½"	1½"	240	275	Type B - 10" Flex. Lds.	
1MA015A	1½"	1½"	120	275	Type A - 10" SS Lds.	
1MA016A	1½"	1½"	240	275	Type A - 10" SS Lds.	
1MA017B	1½"	2"	120	300	Type B - 10" Flex. Lds.	
1MA018B	1½"	2"	240	300	Type B - 10" Flex. Lds.	
1MA032C2	1½"	2¾"	240	400	Type C2 - 72" SS Lds.	
1MA033C2	1½"	2¾"	240	400	Type C2 - 96" SS Lds.	
1MA019B	1½"	2½"	120	400	Type B - 10" Flex. Lds.	
1MA020B	1½"	2½"	240	400	Type B - 10" Flex. Lds.	
1MA021B	1½"	3"	120	450	Type B - 10" Flex. Lds.	
1MA022B	1½"	3"	240	450	Type B - 10" Flex. Lds.	
1MA023B	1½"	3½"	120	525	Type B - 10" Flex. Lds.	
1MA024B	1½"	3½"	240	525	Type B - 10" Flex. Lds.	
1MA025B	1½"	4"	120	550	Type B - 10" Flex. Lds.	
1MA026B	1½"	4"	240	550	Type B - 10" Flex. Lds.	
1MA027B	1½"	5"	120	700	Type B - 10" Flex. Lds.	
1MA028B	1½"	5"	240	700	Type B - 10" Flex. Lds.	
1MA029B	1¾"	1½"	120	250	Type B - 10" Flex. Lds.	
1MA030B	1¾"	1½"	240	250	Type B - 10" Flex. Lds.	
2MA001B	2"	1"	120	200	Type B - 10" Flex. Lds.	
2MA002B	2"	1"	240	200	Type B - 10" Flex. Lds.	
2MA003B	2"	1½"	120	300	Type B - 10" Flex. Lds.	
2MA004B	2"	1½"	240	300	Type B - 10" Flex. Lds.	
2MA005B	2½"	1½"	120	350	Type B - 10" Flex. Lds.	
2MA006B	2½"	1½"	240	350	Type B - 10" Flex. Lds.	
3MA001B	3"	1½"	120	500	Type B - 10" Flex. Lds.	
3MA002B	3"	1½"	240	500	Type B - 10" Flex. Lds.	
3MA004H	3"	1½"	240	500	Type H - Post Terminals	
3MA005H13	3"	1½"	240-480	530	Type H - Post Terminals	
3MA003H	3"	2"	240	600	Type H - Post Terminals	
4MA001H	4"	2"	240	800	Type H - Post Terminals	
4MA002H13	4"	2"	240-480	835	Type H - Post Terminals	

Flex. Lds. = Flexible Leads SS Lds. = Stainless Steel Leads



Replacement Van Dorn Heater Bands

PART NO.	VAN DORN PART NO.	I.D.	WIDTH	TOTAL VOLTS	TOTAL WATTS	CONSTRUCTION TYPE	PRICE EACH	
						12" Leads Unless Noted	1-5	6-11+
1MS099A	50387B	1 1/2"	1 1/2"	230	275	Type A - 54" SS Leads		
2MS018B	N/A	2 3/8"	1"	240	250	Type B - 12" Flex. Lds.		
2MS035H	36210B	2 3/8"	1"	240	250	Type H - Post Terminals		
2MS036C3	66270B	2 7/16"	1"	230	250	Type C3 - 72" Flex. Lds.		
3MS015H	12393B	3"	1"	230	400	Type H - Post Terminals		
3MS017C3	66302B	3"	1"	230	400	Type C3 - 12" Flex. Lds.		
3MS011H	N/A	3"	1"	240	400	Type H - Post Terminals		
3MS016I	51191B	3"	1"	460	400	Type I - 2 pc. Post Terminals		
3MS014C3	66301B	3"	1"	460	400	Type C3 - 12" Flex. Lds.		
3MS018H	36211B	3"	1 1/2"	220	450	Type H - Post Terminals		
3MS005H	N/A	3"	1 1/2"	240	500	Type H - Post Terminals		
3MS012H	40978B	3 5/8"	1 1/2"	240	625	Type H - Post Terminals		
4MS002H	32138B	4"	1"	240	625	Type H - Post Terminals		
4MS015H	25148B	4"	1 1/2"	220	625	Type H - Post Terminals		
4MS016H	41989B	4"	1 1/2"	230	400	Type H - Post Terminals		
4MS009H	N/A	4"	1 1/2"	240	625	Type H - Post Terminals		
4MS017C3	66258B	4"	1 1/2"	460	625	Type C3 - 18" Flex. Lds.		
4MS004MSP	78540B	4"	2"	460	460	Type M - 2 pc. Special 270° Coverage		
5MS008H	16526B	5 1/4"	1 1/2"	230	600	Type H - Post Terminals		
5MS009H	12391B	5 1/4"	1 1/2"	230	1000	Type H - Post Terminals		
5MS006L16	N/A	5 1/4"	1 1/2"	240	600	Type L - Post Expandable		
5MS003H	N/A	5 1/4"	1 1/2"	240	1000	Type H - Post Terminals		
5MS029H	N/A	5 1/4"	1 1/2"	460	600	Type H - Post Terminals		
5MS010I	74842B	5 1/4"	1 1/2"	480	600	Type I - 2 pc. Post Terminals		
5MS011MSP	77123B	5 1/4"	2"	460	666	Type M - 2 pc. Special 270° Coverage		
5MS004H	N/A	5 1/4"	3"	240	1700	Type H - Post Terminals		
5MS005H	N/A	5 1/4"	4 1/2"	240	2400	Type H - Post Terminals		
5MS007H	N/A	5 1/4"	4 1/2"	240	2700	Type H - Post Terminals		
5MS012H	28784B	5 3/4"	1 1/2"	230	600	Type H - Post Terminals		
5MS013H	302514B	5 3/4"	1 1/2"	460	1000	Type H - Post Terminals		
6MS001I	41987B	6"	1 1/2"	240	1000	Type I - 2 pc. Post Terminals		
6MS007H	25147B	6 3/4"	1 1/2"	230	815	Type H - Post Terminals		
6MS004H	41988B	6 3/4"	1 1/2"	230	600	Type H - Post Terminals		
6MS003H	51137B	6 3/4"	1 1/2"	230	1000	Type H - Post Terminals		
6MS005MSP	76928B	6 3/4"	2 1/2"	460	1150	Type M - 2 pc. Special 270° Coverage		
6MS050H	307864B	6 3/4"	4"	230	2600	Type H - Post Terminals		
7MS002H	28786B	7 1/2"	1 1/2"	230	815	Type H - Post Terminals		
7MS004H	27214B	7 5/8"	3"	230	1800	Type H - Post Terminals		
7MS003H	27213B	7 5/8"	3"	230	2000	Type H - Post Terminals		
8MS002I	29347B	8 1/4"	2"	220	1800	Type I - 2 pc. Post Terminals		
8MS003I	31805B	8 1/4"	2"	440	1800	Type I - 2 pc. Post Terminals		
9MS001H	29341B	9 1/2"	3"	240	2000	Type H - Post Terminals		
9MS002MSP	78541B	9 1/2"	3"	460	1930	Type M - 2 pc. Special 270° Coverage		
9MS003K	38947B	9 1/2"	6"	460	4000	Type K - 2 pc. Post Terminals		
11MS001KSP	45985B	11 1/4"	3"	460	2400	Type K - 2 pc. Special Post Terminals		

Call for Pricing 800-627-1033

Flex. Lds. = Flexible Leads

SS Lds. = Stainless Steel Overbraid Leads

**Many other sizes and constructions in stock,
or we can build a band to your specifications!**

Call us today for pricing and availability!



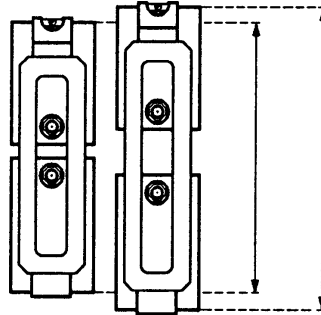
Adjustable Mica Heater Bands

Adjustable 2-pc. Construction Allows Use Of This Band With A Variety Of I.D. Sizes

**A GOOD
SUBSTITUTE FOR
HARD-TO-FIND
METRIC SIZES**

FEATURES:

- Easy On/Off -- Other Bands Do Not Need to be Removed for Installation
- Dual Voltage Options for Wiring Flexibility
- Special Barrel Nut Strap Adjusts to Fit a Wider Variety of I.D. Sizes



**ONE BAND
adjusts to a variety
of diameters!**



PART NO.	I.D.	WIDTH	VOLTS/ HALF	TOTAL WATTS	CONSTRUCTION TYPE	PRICE EACH	
					2-pc. Post	1-5	6-11+
4MSA01I	4 - 4½"	1½"	120	550	Type I	Call for Pricing 800-627-1033	
4MSA02I	4 - 4½"	1½"	240	550	Type I		
4MSA03I	4½ - 5"	1½"	120	650	Type I		
4MSA04I	4½ - 5"	1½"	240	650	Type I		
5MSA01I	5 - 5½"	1½"	120	700	Type I		
5MSA02I	5 - 5½"	1½"	240	700	Type I		
5MSA03I	5 - 5½"	3"	240	1400	Type I		
5MSA04I	5½ - 6"	1½"	240	800	Type I		
6MSA01I	6 - 6½"	1½"	240	850	Type I		
6MSA02I	6 - 6½"	3"	240	1700	Type I		
6MSA03I	6½ - 7"	1½"	240	900	Type I		
7MSA01I	7 - 7½"	1½"	240	1100	Type I		
7MSA02I	7½ - 8"	1½"	240	1200	Type I		
7MSA03I	7½ - 8"	1½"	120	850	Type I		
8MSA01I	8 - 8½"	1½"	240	1300	Type I		
8MSA02I	8½ - 9"	1½"	240	1400	Type I		
9MSA01I	9 - 9½"	1½"	240	1500	Type I		
9MSA02I	9½ - 10"	1½"	240	1600	Type I		
10MSA01I	10 - 10½"	1½"	240	1700	Type I		