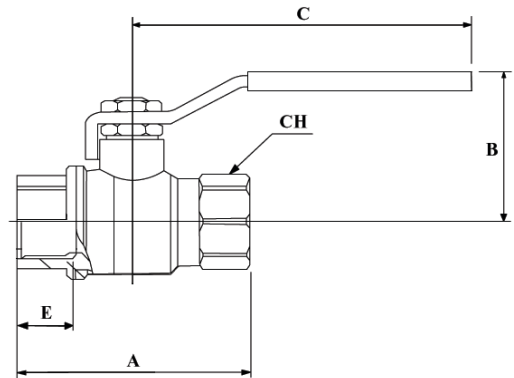
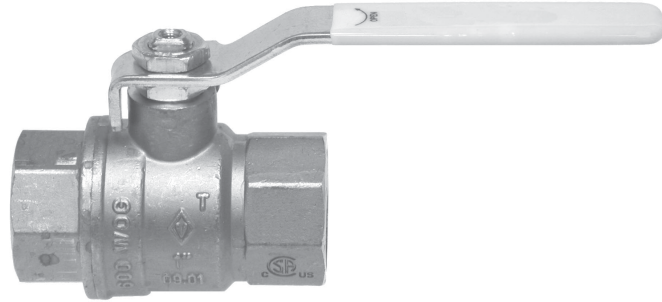


Economy Ball Valves

Female X Female: Full Port

FEATURES:

- Threaded Ends to ANSI B1.20.1
- Each Valve Individually Tested
- Hard Chromium Plated Solid Ball
- 600 psi Non-Shock Cold Water/Oil/Gas (WOG)
- 150 psi Saturated Steam
- Forged Construction - Greater Strength
- Bottom Entry, Blow-out Proof Stem
- Double Stem Packing, Teflon Seats
- Operating Temperature: Min. -20°F (-40°C); Max. 248°F (120°C)

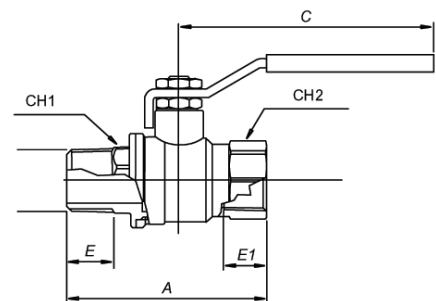
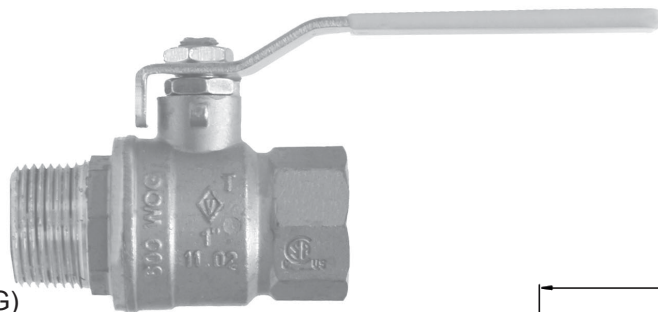


Female X Female									
PART NO.	SIZE	DIMENSIONS					PRICE EACH		
		"A"	"B"	"C"	"E"	"CH"	1-9	10+	
EBV-14	1/4"	1.96"	1.57"	3.43"	.43"	.74"	Call for Pricing 800-627-1033		
EBV-38	3/8"	1.96"	1.57"	3.43"	.43"	.86"			
EBV-12	1/2"	2.28"	1.77"	3.35"	.61"	.94"			
EBV-34	3/4"	3.44"	1.89"	3.35"	.64"	1.22"			
EBV-1	1"	3.03"	2.20"	4.61"	.75"	1.50"			
EBV-114	1 1/4"	3.46"	2.36"	4.61"	.77"	1.89"			
EBV-112	1 1/2"	3.94"	3.15"	6.30"	.77"	2.12"			
EBV-2	2"	4.45"	3.15"	6.30"	.79"	2.63"			

Male X Female: Full Port

FEATURES:

- Threaded Ends to ANSI B1.20.1
- Each Valve Individually Tested
- Hard Chromium Plated Solid Ball
- 600 psi Non-Shock Cold Water/Oil/Gas (WOG)
- 150 psi Saturated Steam
- Forged Construction - Greater Strength
- Bottom Entry, Blow-out Proof Stem
- Double Stem Packing, Teflon Seats
- Operating Temperature: Min. -20°F (-40°C); Max. 248°F (120°C)



Male X Female										
PART NO.	SIZE	DIMENSIONS							PRICE EACH	
		"A"	"B"	"C"	"E"	"E1"	"CH1"	"CH2"	1-9	10+
EBV-14MXF	1/4"	2.28"	1.49"	3.35"	.46"	.51"	.55"	.74"	Call for Pricing 800-627-1033	
EBV-38MXF	3/8"	2.37"	1.57"	3.35"	.46"	.51"	.71"	.86"		
EBV-12MXF	1/2"	2.28"	1.49"	3.35"	.61"	.59"	.85"	.96"		
EBV-34MXF	3/4"	2.87"	1.57"	3.35"	.66"	.63"	1.10"	1.22"		
EBV-1MXF	1"	3.42"	1.93"	5.20"	.77"	.75"	1.36"	1.50"		
EBV-114MXF	1 1/4"	3.94"	2.36"	4.72"	.79"	.76"	1.69"	1.89"		
EBV-112MXF	1 1/2"	4.25"	3.00"	6.34"	.81"	.76"	2.12"	2.12"		
EBV-2MXF	2"	4.96"	2.95"	6.34"	.84"	.76"	2.40"	2.63"		

Premium Ball Valves - by Apollo™



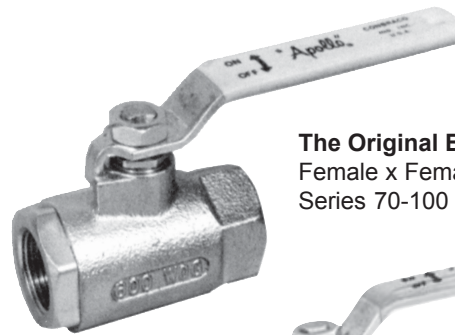
FEATURES:

- Reinforced TFE Seats and Stuffing Box Ring
- Chromium-plated Ball
- Blow-out-proof Stem Design
- Adjustable Packing Gland

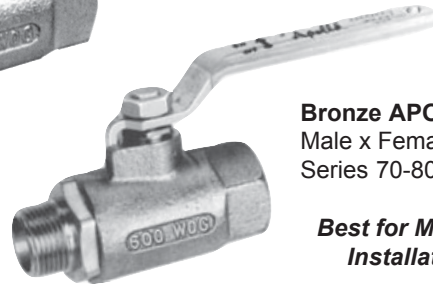
**ISO-9001
RATED**

MATERIAL LIST:

Part:	Specification:
1. Lever and Grip	Steel, Zinc-plated w/ Vinyl
2. Stem Packing	Reinforced TFE
3. Stem Bearing	Reinforced TFE
4. Ball	Chromium-plated Brass
5. Seat (2)	Reinforced TFE
6. Retainer	Brass
7. Gland Nut	Brass
8. Stem	Brass
9. Lever Nut	Steel, Zinc-plated
10. Seal (1 1/4" only)	Reinforced TFE
11. Body	Bronze Cast

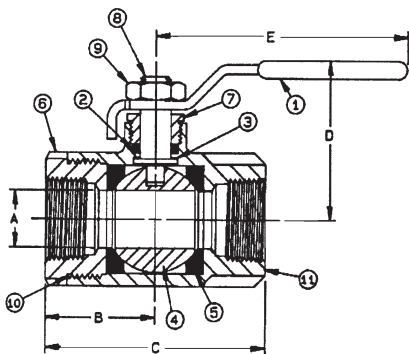


The Original Bronze APOLLO™
Female x Female
Series 70-100

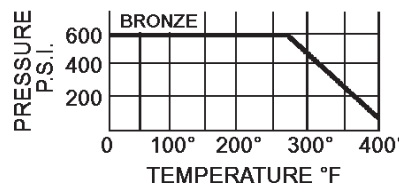


Bronze APOLLO™
Male x Female
Series 70-800

**Best for Manifold
Installation!**



PRESSURE/TEMP. RATINGS RTFE SEATED VALVES



Threaded, 600 PSIG WOG
Cold Non-Shock
150 PSIG Saturated Steam
Vacuum Service to 29" Hg

FEDERAL SPECIFICATIONS:

WW-V35C Type: II
Style: 3 Composition: BZ

PART NO.	SIZE	"A"	"B"	"C"	"D"	"E"	Cv* FACTOR	WT/100	PRICE EACH	
									1-9	10+
Female X Female										
BV-70-101	1/4"	.37"	1.03"	2.06"	1.75"	3.87"	6.8	60#	Call for Pricing 800-627-1033	
BV-70-102	3/8"	.37"	1.03"	2.06"	1.75"	3.87"	6.8	56#		
BV-70-103	1/2"	.50"	1.12"	2.25"	1.75"	3.87"	9.8	64#		
BV-70-104	3/4"	.68"	1.50"	3.00"	2.12"	4.87"	25.0	139#		
BV-70-105	1"	.87"	1.68"	3.37"	2.25"	4.87"	35.0	172#		
BV-70-106	1 1/4"	1.00"	2.00"	4.00"	2.62"	5.50"	47.0	326#		
BV-70-107	1 1/2"	1.25"	2.18"	4.37"	3.06"	8.00"	81.0	463#		
BV-70-108	2"	1.50"	2.34"	4.68"	3.25"	8.00"	105.0	606#		
BV-70-109	2 1/2"	2.50"	3.25"	6.50"	4.12"	8.00"	440.0	1725#		
BV-70-100	3"	2.50"	3.37"	6.75"	4.12"	8.00"	390.0	1860#		
Male X Female										
BV-70-801	1/4"	.31"	1.40"	2.43"	1.75"	3.87"	6.8	63#	Call for Pricing	
BV-70-802	3/8"	.37"	1.46"	2.50"	1.75"	3.87"	6.8	60#		
BV-70-803	1/2"	.50"	1.68"	2.81"	1.81"	3.87"	9.8	72#		
BV-70-804	3/4"	.68"	2.00"	3.50"	2.12"	4.87"	25.0	142#		
BV-70-805	1"	.87"	2.31"	4.00"	2.25"	4.87"	35.0	193#		
BV-70-806	1 1/4"	1.00"	2.31"	4.31"	2.62"	5.50"	47.0	319#		

*The Cv factor is the gallons of water per minute that the valve will pass with 1 psi pressure drop.

Replacement Handles for Apollo™ Ball Valves

PART NO.	SIZE	PRICE EACH
BVRH-SM	1/4", 3/8", 1/2"	Call for Pricing
BVRH-LG	3/4" - 1"	
BVRH-XL	1 1/4" - 2"	

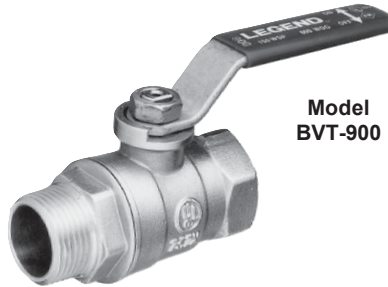


**We can supply ALL your
Apollo™ valve needs!**

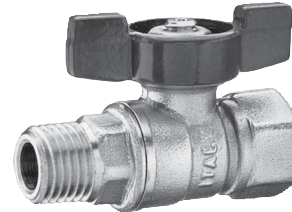
Miniature Male X Female Ball Valves

IDEAL FOR LIMITED SPACE!

Male X Female Best for Manifold Installation!



Model BVT-900



Model BVT-900T

MATERIAL LIST:

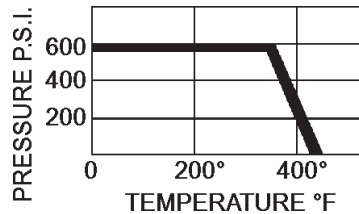
- Handle Nut Coated Steel
- Handle Coated Steel
- Packing Nut Brass
- Stem Packing Teflon™
- Thrust Washer Teflon™
- Stem Brass
- Ball Chrome-plated Brass
- Seats Teflon™
- Body Forged Brass
- End Adapter Forged Brass

Teflon is a registered TM of Dupont, Inc.

ISO-9002 RATED

Large Port Forged Brass

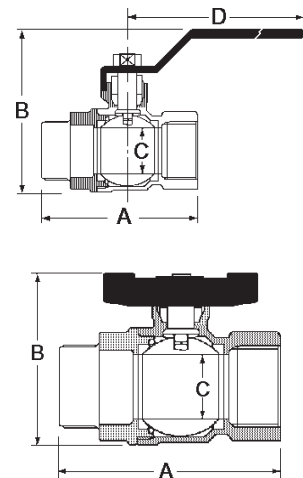
VALVE SEAT RATING:



PRESSURE RATING:

- 1/4" 400 W.O.G., Non-Shock
 - 3/8" - 3/4" 600 W.O.G., Non-Shock
 - 1" 500 W.O.G., Non-Shock
- All sizes are rated at 150 W.S.P.

PART NO.	SIZE	DIMENSIONS				PRICE EACH		
		"A"	"B"	"C"	"D"	1-24	25-99	100+
MODEL BVT-900								
BVT-900-18	1/8"	1.80"	1.41"	0.29"	1.72"	Call for Pricing 800-627-1033		
BVT-900-14	1/4"	1.80"	1.41"	0.32"	1.65"			
BVT-900-38	3/8"	2.15"	1.70"	0.39"	3.06"			
BVT-900-12	1/2"	2.50"	1.86"	0.50"	3.06"			
BVT-900-34	3/4"	2.90"	2.50"	0.69"	3.81"			
BVT-900-1	1"	3.33"	2.78"	0.89"	3.81"			
MODEL BVT-900T "T" HANDLE								
BVT-900T-18	1/8"	1.80"	1.35"	0.29"	--	Call for Pricing		
BVT-900T-14	1/4"	1.80"	1.35"	0.32"	--			
BVT-900T-38	3/8"	2.15"	1.88"	0.39"	--			
BVT-900T-12	1/2"	2.50"	2.00"	0.50"	--			
BVT-900T-34	3/4"	2.90"	2.30"	0.69"	--			



Replacement Handles for Miniature Ball Valves

Part No.	Size	Price Each
BVTH-18-14	1/8" - 7/4"	Call for Pricing
BVTH-34-114	3/4" - 1 1/4"	
BVTH-38-12	3/8" - 1/2"	



This picture shows our standard M4 manifold (M4BD4-14) with 1/4" Miniature Ball Valves (BVT-900-14).