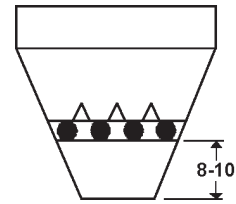


Bunting grate style **Hopper Magnets** come in a variety of shapes and sizes for use in round, square, or rectangular hoppers, chutes, housings, and bins. They are an effective way to remove ferrous metal and fragment contamination in free-flowing materials conveyed by gravity. This magnetic design provides up to *100%* more active contaminant collection area than other designs.

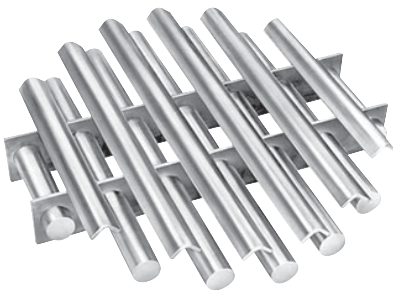
Each cartridge is manufactured from tough #304 stainless steel and filled with high-density Ceramic 5 permanent magnet material. The **Hopper Magnet** features all stainless steel, welded construction with optional rod or angle baffles positioned between cartridges to direct the product flow over the magnet (plain style, with no baffles, is also available). Grates should have at least twice the cross-sectional area of the hopper outlet opening.



*For maximum efficiency, Hopper Magnet should be placed 8" to 10" above hopper outlet.*

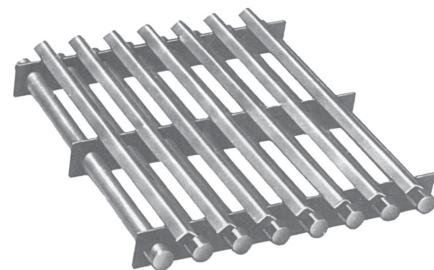


## GR Series Round Magnets with Baffles



PART NO.	MAGNET DIAMETER	PRICE EACH
HMGR-4	4"	Call for Pricing
HMGR-6	6"	
HMGR-8	8"	
HMGR-10	10"	
HMGR-12	12"	

## GS Series Square Magnets with Baffles

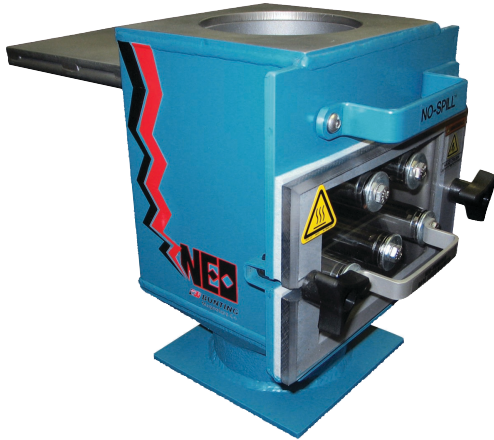


PART NO.	MAGNET L X W	PRICE EACH
HMGS-4X4	4" x 4"	Call for Pricing
HMGS-6X6	6" x 6"	
HMGS-8X8	8" x 8"	
HMGS-10X10	10" x 10"	
HMGS-12X12	12" x 12"	

**Rectangular Hopper Magnets, Other Diverter Types, Drawer Magnets and Other Sizes Available**



NEO FF Series



*Newly Designed for  
Maximum Performance*



CALL TODAY FOR MORE  
INFORMATION ON

**DRAWER MAGNETS**

**800-627-1033**



Bunting NEO FF Series Drawer Magnets are outfitted with super-strong neodymium Rare Earth magnets that capture and hold ferrous metal particles so small that you may not be able to see them with the naked eye. Unlike other Rare Earth drawer magnets that can permanently lose their magnetic fields at temperatures above 175° F, Bunting's exclusive design is the ONLY temperature-compensated Rare Earth drawer magnet made for injection molding machines. It is guaranteed not to lose its permanent magnetic strength when bolted to feed throats operating at temperatures in excess of 175° F. That means less downtime with reduced screw wear and fewer plugged nozzles.

NEO Drawer Magnets are built with rugged stainless steel housings for durability. The newly-designed stainless steel center drawer guide makes removal and reinstallation of the magnet drawer quick and easy, for cleaning and maintenance.

The drawer gasket is cut from Ethylene Propylene Diene Monomer (EPDM). It resists heat aging and compression set and offers much greater durability than sponge rubber. The drawers are locked in place by new high-torque nylon knobs that resist breakage and stand up to everyday use much better than plastic knobs. We've even added a magnetic latch to keep our patented No-Spill™ Slide Gate in the open position under high vibration conditions, without interfering with normal gate operation.

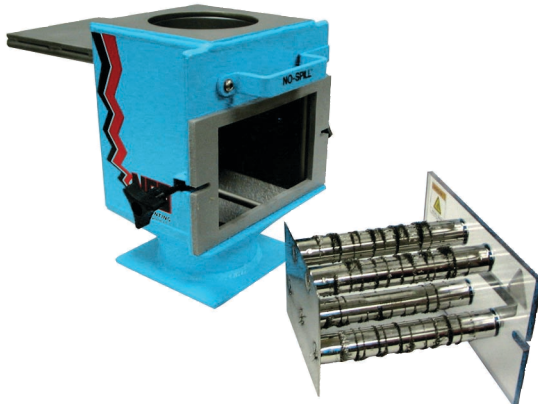
### **Bunting Magnetics Lifetime Guarantee**

Bunting guarantees the durability and performance of their Drawer Magnets for as long as you own them against defects in materials and workmanship.

# Standard Drawer Magnets Specifications



## NEO FF Series



### FEATURES:

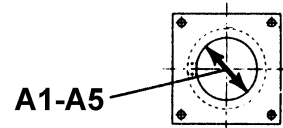
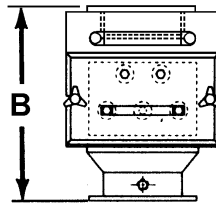
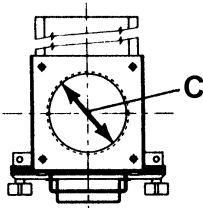
- Equipped With the Most Powerful Rare Earth Magnets Available in Separation Equipment
- The Only Temperature-compensated, Rare Earth Magnets for Injection Molding Machines
- Built With a Welded, Stainless Steel Housing for Easy Cleaning and Durability
- A New EPDM Gasket that Resists Heat Aging and Compression Set
- Fitted With High-torque Nylon Knobs That Resist Breakage
- Incorporates patented No-Spill™ Slide Gate With a Magnetic Safety Latch
- Designed with clear Lexan® Drawer Front for Easy Viewing of Product Flow and Captured Contaminants
- Exclusive Magnetic Latch Locks No Spill™ Slide Gate Open During Operation and Permits Easy Closing For Purging and Color Changes

### Housing Material:

Welded Stainless Steel

### Magnet Material:

Temperature-compensated, Rare Earth Magnets



Model required is determined by throat diameter needed:

PART NO.	INTERIOR SIZE OF HOUSING	"B" HEIGHT	MAXIMUM "C" TOP FLANGE OPENING	FEED THROAT OPENING DIAMETER		PRICE EACH	
				A1 (Min.)	A5 (Max.)	1-5	6+
FF4400-PL	4" x 4"	10 <sup>1</sup> / <sub>2</sub> "	2"	7/8"	2 <sup>1</sup> / <sub>8</sub> "	Call for Pricing 800-627-1033	
FF4400-PLS	4" x 4"	10 <sup>1</sup> / <sub>2</sub> "	2"	7/8"	2 <sup>1</sup> / <sub>8</sub> "		
FF4600-PL	6" x 6"	10 <sup>5</sup> / <sub>8</sub> "	4 <sup>1</sup> / <sub>2</sub> "	1 <sup>3</sup> / <sub>4</sub> "	3 <sup>7</sup> / <sub>8</sub> "		
FF4600-PLS	6" x 6"	10 <sup>5</sup> / <sub>8</sub> "	4 <sup>1</sup> / <sub>2</sub> "	1 <sup>3</sup> / <sub>4</sub> "	3 <sup>7</sup> / <sub>8</sub> "		
FF4800-PL	8" x 8"	10 <sup>7</sup> / <sub>8</sub> "	6"	3 <sup>1</sup> / <sub>8</sub> "	6"		
FF4800-PLS	8" x 8"	10 <sup>7</sup> / <sub>8</sub> "	6"	3 <sup>1</sup> / <sub>8</sub> "	6"		
FF4100-PL	10" x 10"	Varies	8"	Built to Customer Specs.			
FF4100-PLS	10" x 10"	Varies	8"	Built to Customer Specs.			

Note: "S" includes "No-Spill Slide Gate"

Note: Larger sizes available on request.



## Drawer Magnet Options

### Patented No-Spill™ Slide Gate

The patented No-Spill™ Slide Gate completely and positively shuts off product flow, so you don't have to worry about product spillage creating a mess or safety hazard when you remove the drawer for cleaning.

### Purge Hopper

Our Purge Hopper speeds clean-out of your equipment when changing color or compound, without sacrificing magnetic protection or taking the time to empty your hopper.

### Rear Dump Tube

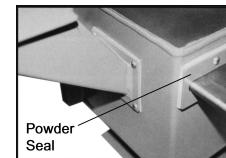
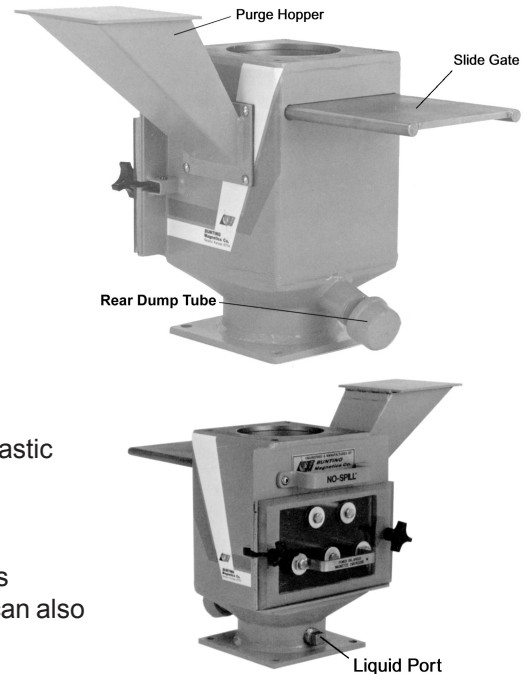
This option lets you empty the drawer housing and material hopper of plastic after a run has been completed.

### Liquid Port

The Liquid Port allows you to inject liquid color additive into the resin. It's especially convenient for trial runs, short runs, or prototyping. The port can also be used to hold a temperature probe.

### Powder Seal Kit

This option prevents powder materials from leaking out around the Slide Gate - which is especially important in applications involving PVC or similar powder materials. The kit provides a compression seal around the Slide Gate. Order as original equipment or retrofit on site.



PART NO.	DESCRIPTION	PRICE EACH
FF-PH	Purge Hopper	Call for Pricing
FF-DT	Dump Tube	
FF-LDP	Liquid Port	

*For Powder Seal Kit, specify magnet model when calling for part number and pricing.*

## Other Magnet Options

**Rare Earth Magnets** If your application involves extremely small metal fines or contaminants that are only marginally magnetic, you may need the extra magnetic energy of Rare Earth Magnets. Rare Earth Drawer Filters are supplied with stainless steel housings to prevent the entire assembly from becoming magnetized by these extremely powerful magnets. There are two powerful Rare Earth Cartridge designs.

**Alnico Magnets** For high-temperature applications, cartridges loaded with Alnico Magnets are often required. If your process line handles resins heated to exceptionally high temperatures and your operating temperatures range between 300°F and 1000°F, be sure to specify Alnico Magnets and stainless steel drawer fronts.

**Ceramic Magnets** Good holding force and low cost make Ceramic Magnets the right choice for most separation applications. Ceramic Magnet Cartridges are well suited for collecting small to large tramp iron, and for applications up to 300°F.

**NPB (Neodymium Power-Balanced)** Bunting NPB Cartridges provide significant performance increases over Ceramic and Alnico Cartridges at a moderate price.

**NHI (Neodymium High-Intensity)** Bunting NHI Cartridges offer the highest performance levels in the industry. They are the right choice for contamination-sensitive environments and other demanding applications.

**5<sup>11</sup>/<sub>16</sub>"  
Overall Height**



**LP1600-PLS**

The **Low Profile Drawer Magnet** is designed to provide magnetic protection for installations where head room is critical. Its space-saving 5<sup>11</sup>/<sub>16</sub>" overall height makes this unit the most compact on the market today.

The **Low Profile Drawer Magnet** offers many of the design features found on the standard size drawer magnet, including a single row of Permanent Magnetic Cartridges to provide constant protection from ferrous contamination, a clear polycarbonate drawer front, and rigid 10-gauge mild steel construction. You can even purchase these units with a No-Spill™ Slide Gate option.

Stainless steel construction and Rare Earth Magnetic Cartridges are also available.

**FEATURES:**

- Low Profile (only 5<sup>11</sup>/<sub>16</sub>" high)
- Single Row of 1" Diameter High Energy Magnetic Cartridges
- Heavy 3/8" Thick Clear Polycarbonate Drawer Front Allows Visual Check of Contamination
- Up Front Cleaning - Easy Access
- Rugged All Welded Box and Transition Construction
- 1/4" Thick Flanges Predrilled to Your Specifications

**STANDARD SPECIFICATIONS:**

**Part # LP1600-PL**

- Interior Size: 6" x 6"
- No. of Cartridges: 3
- Minimum Opening: 2" Square or Round
- Maximum Opening: 3 7/8" Square or Round

**Part # LP1800-PL**

- Interior Size: 8" x 8"
- No. of Cartridges: 4
- Minimum Opening: 4" Square or Round
- Maximum Opening: 6" Square or Round

**Throat Openings**

LP1600 Series  
LP1800 Series

**Rectangular**

1<sup>7</sup>/<sub>8</sub>" x 1<sup>7</sup>/<sub>8</sub>" to 3<sup>7</sup>/<sub>8</sub>" x 3<sup>7</sup>/<sub>8</sub>"  
4" x 4" to 6" x 6"

**Round**

1<sup>7</sup>/<sub>8</sub>" to 3<sup>7</sup>/<sub>8</sub>"  
4" to 6"

PART NO.	INTERIOR SIZE	HEIGHT	NUMBER OF CARTRIDGES	PRICE EACH	
				1-5	6+
LP1600-PL	6" x 6"	5"	3	Call for Pricing 800-627-1033	
LP1600-PLS	6" x 6"	5"	3		
LP1800-PL	8" x 8"	5"	4		
LP1800-PLS	8" x 8"	5"	4		

*Note: "S" includes "No-Spill Slide Gate" Specifications subject to change without notice.*

## **Self-Cleaning Drawer Magnets Reduce Downtime and Increase Safety**



FF4600PLS-SC

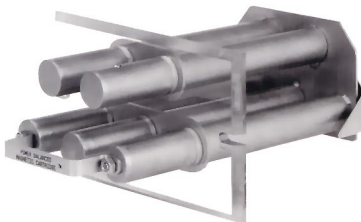
Bunting's exclusive dual-action Self-Cleaning Drawer Magnet lets you save time two ways as you protect product purity and equipment.

You can clean it in place with one quick pull or remove the whole drawer assembly for safe off-the-machine maintenance.

Each self-cleaning unit has extra-long magnetic cartridges that fit inside stainless steel sleeves that are attached to the see-through polycarbonate drawer front. Tramp metal collects on the sleeve surfaces and falls from the sleeves as they are pulled clear of the magnetic cartridges and the drawer housing. No wiping or brushing required.

The whole magnetic cartridge and drawer assembly can also be completely removed from the housing. The operator can then carry the unit to a designated trash dump area for cleaning without getting tramp metal anywhere near the molding equipment. Either way, tramp metal removal is fast, safe, and easy.

You'll especially like the self-cleaning option if your drawer magnet is equipped with **Rare Earth Magnetic Cartridges**. These high-energy magnetic cartridges can be difficult to clean thoroughly by hand because of their high magnetic strength.



Self-Cleaning Drawer Module  
DR600SC

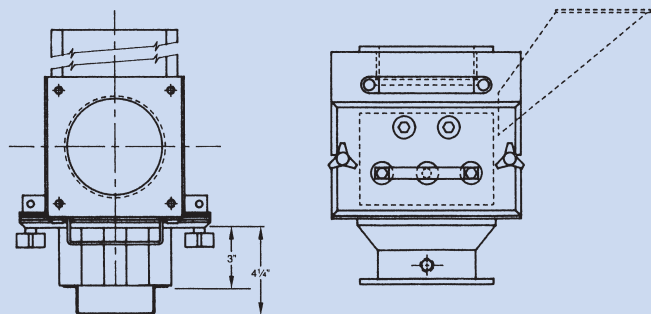


CALL FOR PRICING

**800-627-1033**

### **Convert Your Standard Bunting FF Series Drawer Magnet with Self-Cleaning Drawer Modules**

Now you can upgrade Bunting Standard Drawer Magnets by replacing the drawer module. Self-Cleaning Drawer Modules are available to retrofit all new FF Series Models 4400, 4600, 4800, and 4100 (with or without Slide Gate option).

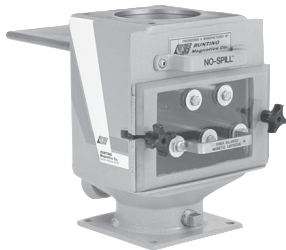


## *Drill Them Yourself To Save Time & Money!*

PART NO.	SPECS. MATCH PART NO.*	TOP AND BOTTOM FLANGE SIZE	TOP OPENING (Diameter)	BOTTOM OPENING (Diameter)	PRICE EACH	
					1-5	6+
DR-1600-D	LP1600-PL	6" x 6"	4 1/4"	2 7/8"	Call for Pricing 800-627-1033	
DR-2100-D	FF4600-PLS	6" x 6"	4 1/4"	2 7/8"		
DR-2200-D	FF4600-PLS	8" x 8"	4 1/4"	2 7/8"		
DR-3500-D	FF4800-PLS	8" x 8"	6"	5 1/2"		

\*Specifications match our part numbers listed; except undrilled.

# Drilled Drawer Magnets - For Van Dorn Machines



PART NO.	VAN DORN PART NO.	SPECS. MATCH PART NO.*	FITS VAN DORN MACHINE MODEL	PRICE EACH
DR-1900-D	47427	FF4600-PLS	50 RS 3F 75 RS 3F, 5F 110 RS 5F, 6F, 8F 125 RS 6 150 RS 8F 200 RS 8F	CALL FOR PRICING
DR-2000-D	47429	FF4600-PLS	150 RS 14F 200 RS 14, 14F, 30 250 RS 20F 260 H 20F 300 RS 14, 20, 30, 30F 325 RS 30F 350 RS 30F 385 RS 8F 400 RS 48F 450 RS 30, 30F	CALL FOR PRICING
DR-2050-D	49431	FF4600-PLS	300 RS 60F 350 RS 60F 385 HRS 60F, 75F 500 H 60F, 80F 500 HRS 60F, 80F, 125F 550 RS 60F, 80F 700 H 105F 700 RS 60F, 80F, 125F 700 HRS 60F, 80F, 125F 1000 HRS 125F	CALL FOR PRICING

\*Specifications match our part numbers listed with No-Spill Slide Gate.



## For High-Flow and Under-Silo Applications

With these units under your storage silos, you'll trap most tramp metal before it ever gets into the process line. HF Series Drawer Magnets are also designed for use under grinders, above rotary air locks, and anywhere ferrous contaminants need to be removed from large-cross-section gravity spouting.

HF Series units are available with multiple magnetic cartridge trays. Trays slide out for ease of cleaning, and cartridges in adjacent trays are staggered to increase direct contact with the product flow.

Ceramic permanent magnetic material is standard. Rare Earth magnetic cartridges are also available to handle extremely fine or marginally magnetic contaminants.

Standard housings are constructed of heavy-duty mild steel with 1/4" thick flanges. But you can specify optional all-stainless construction as well as round, square, or rectangular spouting adapters for easy installation and manual or pneumatic self-cleaning options for even easier maintenance.

**For additional information, request Spec. Sheet 2015.**

### SPECIFICATIONS

**Housing and Optional Adapter Material:** 10 Ga. mild steel with 1/4" thick flanges. Optional 11 Ga. 302/304 stainless steel with 1/4" flanges. Other stainless steels are available for special applications.

**Magnet Material:** High-density Ceramic permanent magnets. Alnico and two Rare Earth magnet configurations are also available.

**Magnet Design:** Magnetic cartridges, 1" diameter on 2" centers is standard. Optional close-cartridge design on 1 1/2" centers and waterfall design on 3" centers.

**Construction:** Full seam welded.

**Contaminant Removal:** Ferrous fragments, nuts, bolts, and other tramp metal from free-flowing granular material.

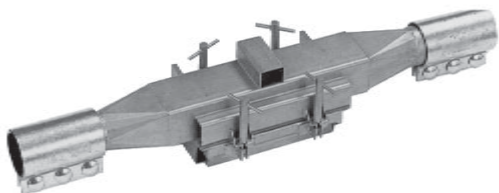
**Method of Cleaning:** Manual removal through stainless steel access door. Self-cleaning models are available.

**Adapter Styles:** Round, square, or rectangular.

**Sizes:** 10" x 10" square through 30" x 30" square.

# In-Line Magnets

## Unrestricted Flow and Superior Protection



**Bunting Gravity and Pneumatic In-Line Magnets** create a strong magnetic field across the entire cross-section of the housing for superior tramp metal capture. In-Line Magnets can be located virtually anywhere in pneumatic lines to trap tramp metal before it reaches vulnerable equipment.

**For additional information, request Spec. Sheet 2031.**

**When ordering, please have the line diameter size available.**

### SPECIFICATIONS

**General Material:** 11 Ga. 302/304 stainless steel with standard size tube ends.

**Magnet Material:** High-density Ceramic (CR) permanent magnetic material. Rare Earth (NE) models available.

**Magnet Design:** Standard plate magnet with 400 series stainless steel exposed pole face. Other face styles available.

**Construction:** Housing is seam welded into an integral unit. Magnet furnished with hinge, latches, and silicone gasket. Compression couplings provided for installation. Special adapters available upon request.

**Method of Cleaning:** Manual, from outside of housing, utilizing hinged swing-away magnet. Self-cleaning models available (SC).

**Pneumatic Sizes:** Available in 2" through 10" line sizes.

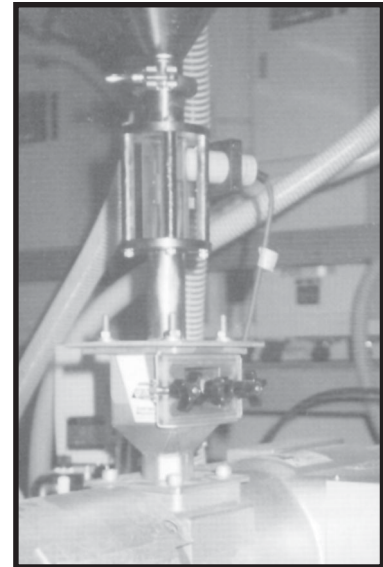
**Gravity Sizes:** Available in 5" through 12" line sizes.

*Special sizes available upon request.*

## Just-In-Time Magnetic Separation

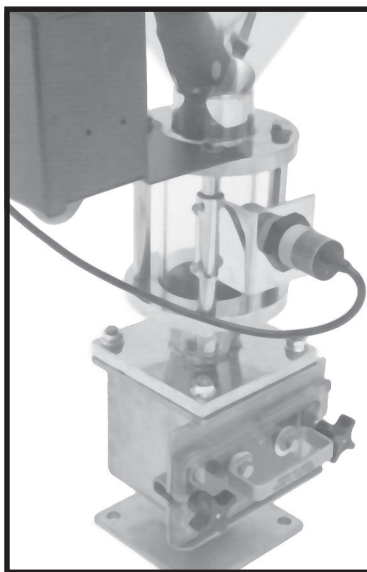
Many plastic molders are turning to smaller-volume, closed-loop systems. These "Just-In-Time" systems dry resin at a central point and then convey small amounts to the molding machine. Seeing a special need for magnetic protection against ferrous contaminants in such operations, we offer a series of Bunting drawer magnets (FFV Series) specifically designed for these systems.

FFV Drawer Magnets mount on the throat of the plastic molding machine and are equipped with an o-ring seal at the drawer front to prevent air leaks. FFV Drawer Magnets are manufactured to withstand pressures up to 15 in-hg without leaking. The drawer front is made with 1½" thick, clear polycarbonate for strength and easy monitoring of the resin flow and tramp metal collection. The powerful magnetic cartridges can be pulled out of the housing for easy cleaning. Top and bottom flanges are built to your requirements.



**FFSV1300-PL-NPB**

*Typical setup; pricing for magnet only.*

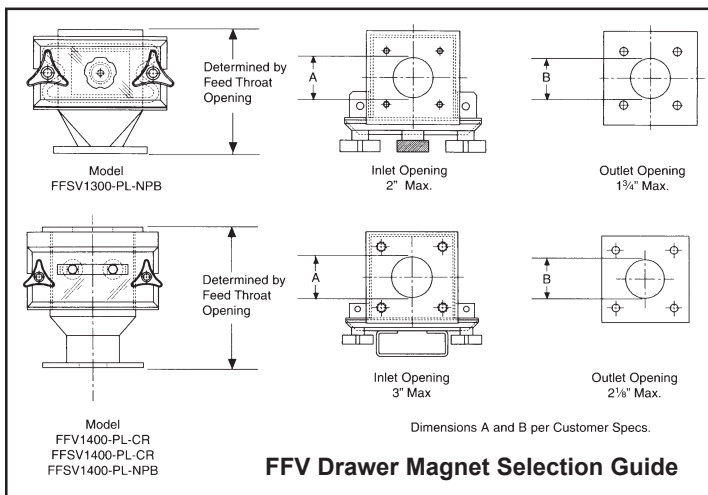


**FFSV1400-PL-NPB**

*Typical set-up; pricing for magnet only.*

The compact **FFSV1300-PL-NPB** housing measures 3" x 3" and is manufactured from 13-gauge 304 stainless steel. A single high-energy rare earth magnetic cartridge is utilized. The **FFSV1300-PL-NPB** holds up to 8 oz. of material and has a maximum inlet diameter of 2" with a maximum outlet diameter of 1¾".

A larger 4" x 4" unit is also available. The **FFV1400-PL-NPB** housing is manufactured from 12-gauge mild steel and uses two high-energy rare earth magnets. Bunting's **FFSV1400-PL-NPB** uses two high-energy rare earth magnetic cartridges for applications where extremely small fines or weak magnetic contaminants are a problem. The housing is manufactured from 13-gauge stainless steel. These drawer magnets hold up to 20 oz. of material. They have a maximum inlet diameter of 3" and a maximum outlet diameter of 2⅞".



VACUUM STYLE MAGNETIC DRAWER FILTER		
PART NO.	PRICE EACH	
	1-5	6+
FFSV1300-PL-NPB (stainless steel housing)	Call for Pricing 800-627-10339	
FFV1400-PL-NPB (mild steel housing)		
FFSV1400-PL-NPB (stainless steel housing)		

"NPB" Suffix = Rare Earth Magnet

CALL TODAY FOR MORE  
INFORMATION ON  
**DRAWER MAGNETS**



**800-627-1033**

# Drawer Magnet Order/Quote Request Form

Company Name: \_\_\_\_\_  Order  Quotation Request

P.O. # \_\_\_\_\_ Date: \_\_\_\_\_

Ordered By: \_\_\_\_\_ Phone #: \_\_\_\_\_

Ship to the Attention Of: \_\_\_\_\_

Billing Address: \_\_\_\_\_ Shipping Address: \_\_\_\_\_

\_\_\_\_\_  
 \_\_\_\_\_  
 \_\_\_\_\_

Qty.	Part #	Description	Price	Total

Special Notes: \_\_\_\_\_

PLEASE SHIP: Regular Ground UPS ( ) UPS Next Day Air ( ) Other ( ) \_\_\_\_\_

## The following information is required for ordering or quotation request:

Machine Make \_\_\_\_\_

Model \_\_\_\_\_

Serial No. \_\_\_\_\_

Screw Size \_\_\_\_\_

Ounce Capacity \_\_\_\_\_

Make of Hopper \_\_\_\_\_

Hopper Capacity \_\_\_\_\_ lbs.

For Vacuum System

For Standard System

Optional Equipment (for Standard System only):

Slide Gate Shut-off

With Purge Hopper

R.H. Side  L.H. Side

With Discharge Dump Tube

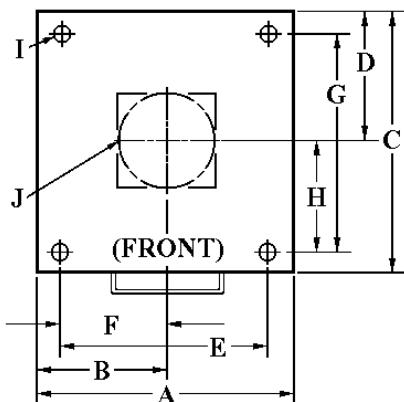
Rear  Other \_\_\_\_\_

Tapped Hole for Liquid Dispensing System

Powder Seat Kit

Other \_\_\_\_\_

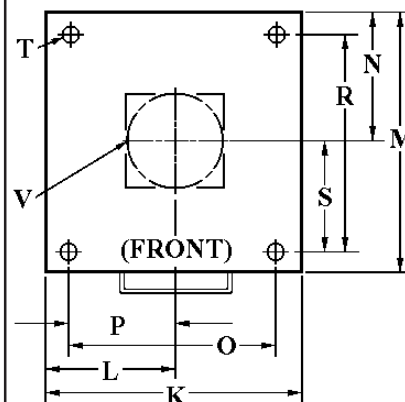
### BOTTOM FLANGE DIMENSIONS Operator Side



- A \_\_\_\_\_
  - B \_\_\_\_\_
  - C \_\_\_\_\_
  - D \_\_\_\_\_
  - E \_\_\_\_\_
  - F \_\_\_\_\_
  - G \_\_\_\_\_
  - H \_\_\_\_\_
  - I \_\_\_\_\_
- (Bolt Size Used)

- J - Opening:
- Round \_\_\_\_\_
  - Square \_\_\_\_\_
  - Rectangle:
    - Front to Back \_\_\_\_\_
    - Side to Side \_\_\_\_\_

### TOP FLANGE DIMENSIONS Operator Side



- K \_\_\_\_\_
  - L \_\_\_\_\_
  - M \_\_\_\_\_
  - N \_\_\_\_\_
  - O \_\_\_\_\_
  - P \_\_\_\_\_
  - R \_\_\_\_\_
  - S \_\_\_\_\_
  - T\* \_\_\_\_\_
- (Thread Size Used)

- Threaded Holes
- Studs
- V - Opening:
  - Round \_\_\_\_\_
  - Square \_\_\_\_\_
  - Rectangle:
    - Front to Back \_\_\_\_\_
    - Side to Side \_\_\_\_\_

\*Studs will be required if bolt pattern falls on housing body.



# Torpedo Magnets

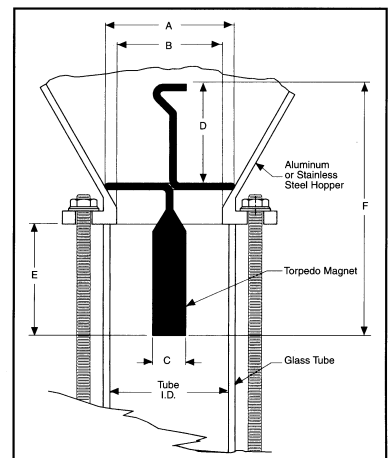


**Bunting Torpedo Magnets** are designed to be used in Just-In-Time (JIT) hopper loaders and are the best alternative to drawer magnets available.

The Torpedo Magnet consists of a formed stainless steel ring, welded to a high-energy rare earth magnetic cartridge, allowing the magnetic cartridge to hang suspended in the center of the JIT loader's glass tube. With the Torpedo Magnet in this position, tramp metal is captured before it can reach your plastic molding machine.

The bottom of the Torpedo Magnet is a live magnetic pole that allows tramp metal to collect and hide, preventing tramp metal wipe-off back into the product stream. The magnet can be inspected for tramp metal buildup by looking through the glass tube. The magnet can be removed and cleaned as required. The material level sensor, which is typically mounted on the outside of the JIT loader's glass tube, will not be affected by the Torpedo Magnet.

Torpedo Magnets are available in either 1" or 5/8" diameter high-energy rare earth magnetic cartridge designs. Four sizes are available to fit most Just-In-Time loaders. The diameter of the ring (A) should be larger than the hopper opening. Choose 5/8" diameter (C) Torpedo Magnets for applications where the sight glass is 2 1/4" in diameter or less. For sight glasses larger than 2 1/4", select 1" diameter Torpedo Magnets.



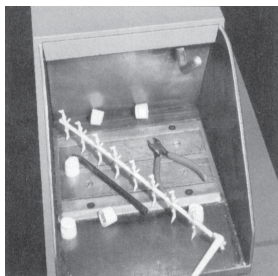
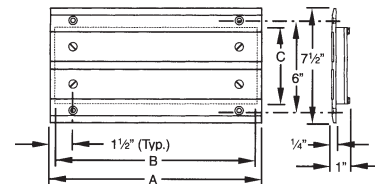
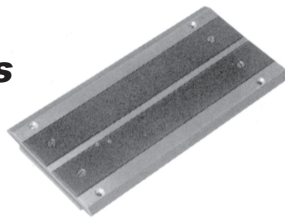
Specifications are subject to change without notice.

PART NO.	DIMENSIONS						PRICE EACH
	A	B (APPROX.)	C	D	E (APPROX.)	F	
21-00032	1 3/4"	1 5/8"	5/8"	1 7/8"	2 3/8"	4 3/4"	Call for Pricing
21-00034	1 3/4"	1 5/8"	1"	1 7/8"	3 11/16"	6 1/4"	
21-00079	2 1/2"	1 7/8"	5/8"	1 7/8"	2 3/8"	4 3/4"	
21-00080	2 1/2"	2"	1"	1 7/8"	3 11/16"	6 1/4"	

# Grinder Plate Magnets



## For Plastic Granulators



Your regrind operation runs an extra risk of tramp metal contamination. Now you can protect it easily and economically with **Bunting Grinder Plate Magnets**. They install easily in your granulator's feed tray.

Each Grinder Plate Magnet is manufactured with a rugged cast aluminum frame. Back plate and magnetic pole face are made of mild steel. To install, just cut an opening in the feed tray and bolt the pre-drilled flange of the magnet to the tray, using the holes and hardware provided.

PART NO.	DIMENSIONS			PRICE EACH
	A	B	C	
GPM-8006	5 1/2"	5"	5"	Call for Pricing
GPM-8008	7 1/2"	7"	5"	
GPM-8010	9 1/2"	9"	5"	
GPM-8012	11 1/2"	11"	5"	
GPM-8014	13"	12 1/2"	5"	
GPM-8016	15"	14 1/2"	5"	
GPM-8018	17"	16 1/2"	5"	
GPM-8020	19"	18 1/2"	5"	
GPM-8022	21"	20 1/2"	5"	
GPM-8024	23"	22 1/2"	5"	